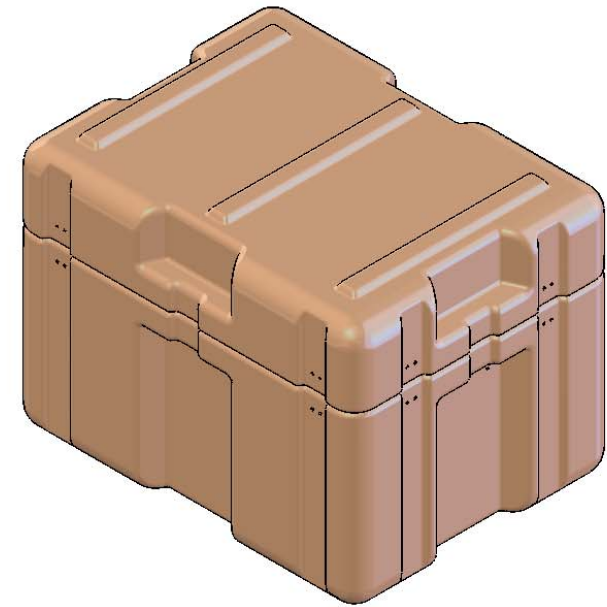
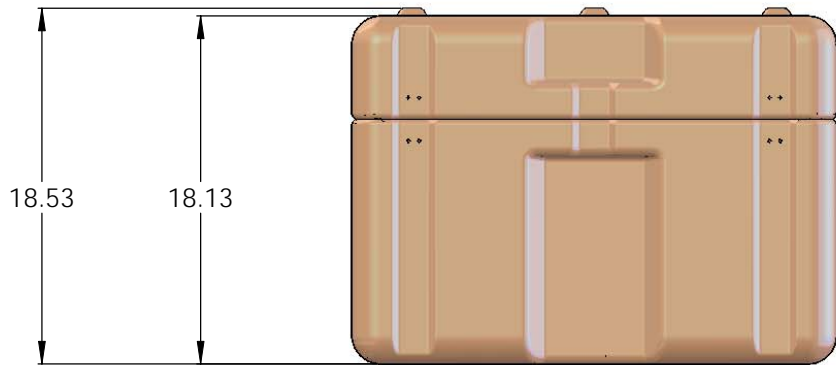
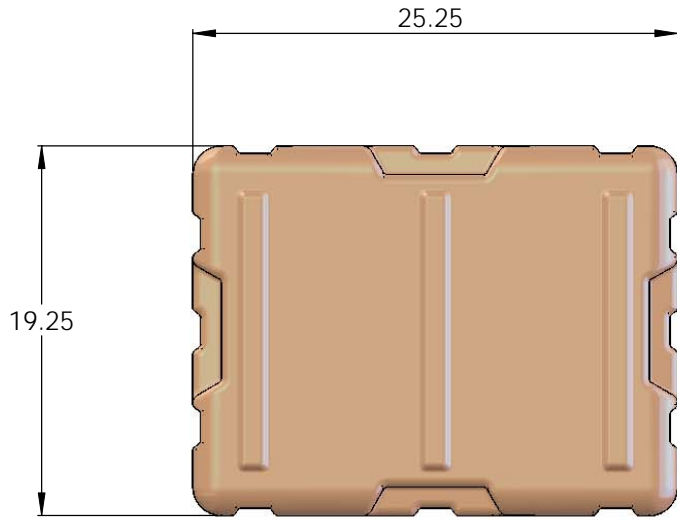



REVISIONS			
LEVEL	DESCRIPTION	APPROVED	DATE

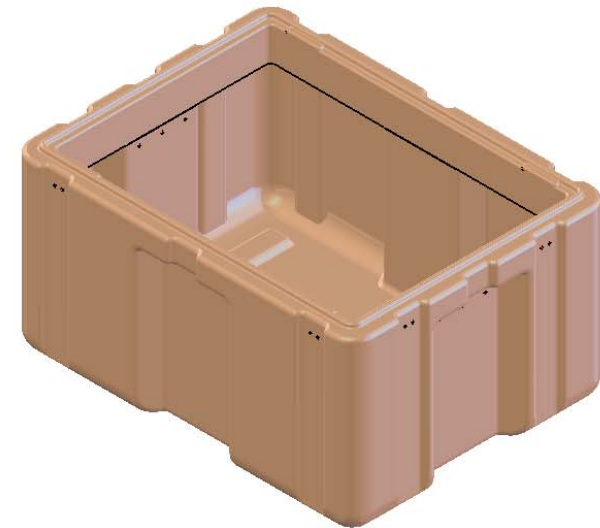
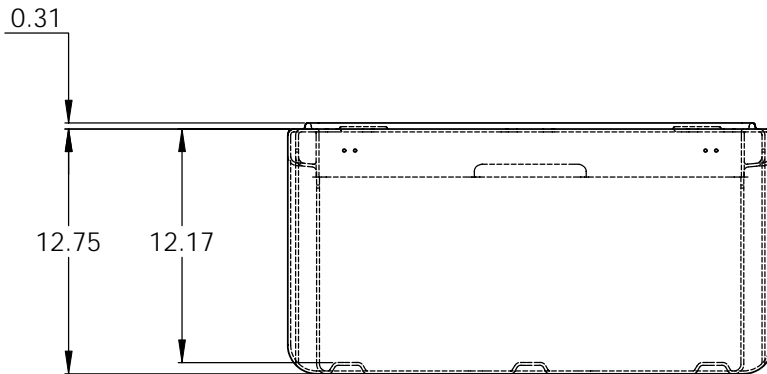
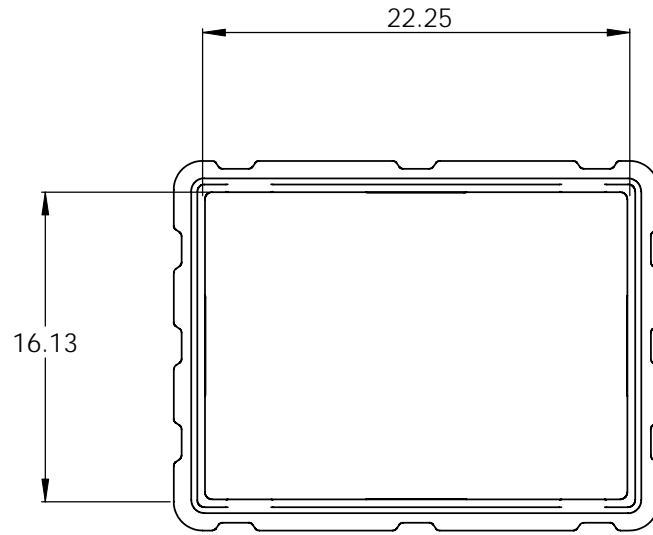


MATERIALS:	DIMENSIONAL TOLERANCES	
XXXX	ALL DIMENSIONS IN INCHES UNLESS NOTED OTHERWISE	
	00 - 06"	0.125"
	06 - 12"	0.250"
	12 - 50"	0.375"
ONE COMPLETE SET INCLUDES:	ASSEMBLY:	DRAWN
XXXX	XXXX	CHECKED
		APPROVED


NAME	DATE		
J THOMSON	07/31/07		
J LUCHKA		TITLE:	
J THOMSON		ROTOMOLD CASE AP2216-1205 ASSEMBLY	
SCALE: N/A	SIZE	DWG. NO.	REV
	C	700-012	
			SHEET 1 OF 3

PROPRIETARY AND CONFIDENTIAL
 THE INFORMATION CONTAINED IN THIS DRAWING IS THE SOLE PROPERTY OF AMERIPACK. ANY REPRODUCTION IN PART OR AS A WHOLE WITHOUT THE WRITTEN PERMISSION OF AMERIPACK IS PROHIBITED.

REVISIONS			
LEVEL	DESCRIPTION	APPROVED	DATE

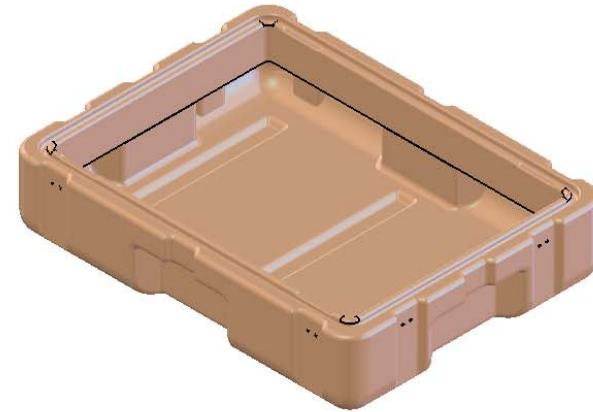
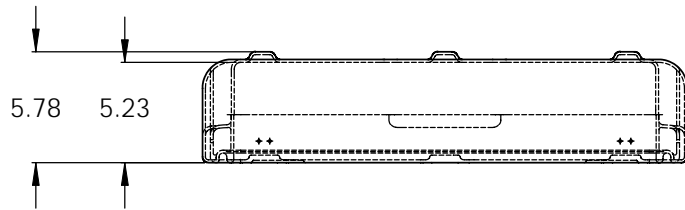
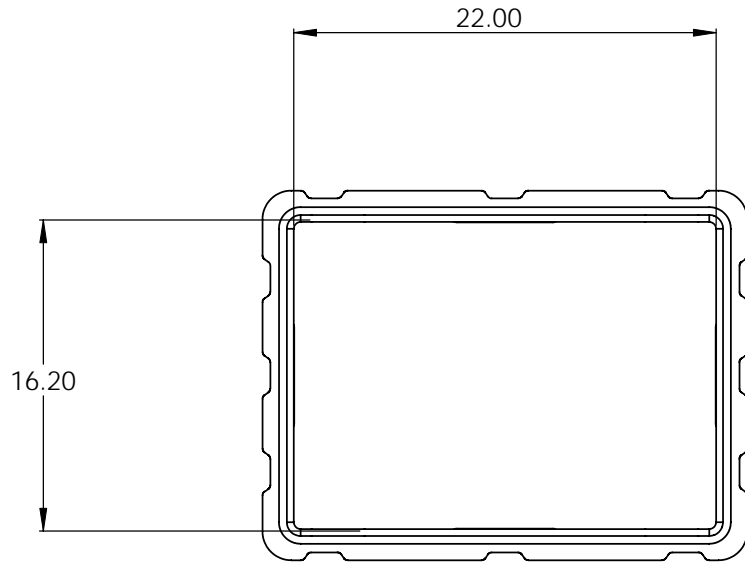



MATERIALS:	DIMENSIONAL TOLERANCES			
XXXX	ALL DIMENSIONS IN INCHES UNLESS NOTED OTHERWISE			
	00 - 06"	0.125"		
	06 - 12"	0.250"		
	12 - 50"	0.375"		
ONE COMPLETE SET INCLUDES:	ASSEMBLY:	DRAWN	J THOMSON	07/31/07
XXXX	XXXX	CHECKED	J LUCHKA	
		APPROVED	J THOMSON	

NAME	DATE	
J THOMSON	07/31/07	
TITLE:		ROTOMOLD CASE AP2216-1205 BASE
SIZE	DWG. NO.	
C	700-012	REV
SCALE: N/A		SHEET 2 OF 3

PROPRIETARY AND CONFIDENTIAL
 THE INFORMATION CONTAINED IN THIS DRAWING IS THE SOLE PROPERTY OF AMERIPACK. ANY REPRODUCTION IN PART OR AS A WHOLE WITHOUT THE WRITTEN PERMISSION OF AMERIPACK IS PROHIBITED.

REVISIONS			
LEVEL	DESCRIPTION	APPROVED	DATE



MATERIALS:	DIMENSIONAL TOLERANCES		NAME	DATE	
XXXX	ALL DIMENSIONS IN INCHES UNLESS NOTED OTHERWISE				
	00 - 06"	0.125"	DRAWN	J THOMSON	07/31/07
	06 - 12"	0.250"			
	12 - 50"	0.375"			
ONE COMPLETE SET INCLUDES:	ASSEMBLY:		CHECKED	J LUCHKA	
XXXX	XXXX		APPROVED	J THOMSON	

PROPRIETARY AND CONFIDENTIAL
 THE INFORMATION CONTAINED IN THIS DRAWING IS THE SOLE PROPERTY OF AMERIPACK. ANY REPRODUCTION IN PART OR AS A WHOLE WITHOUT THE WRITTEN PERMISSION OF AMERIPACK IS PROHIBITED.

TITLE: ROTOMOLD CASE AP2216-1205 LID		
SIZE C	DWG. NO. 700-012	REV
SCALE: N/A		SHEET 3 OF 3