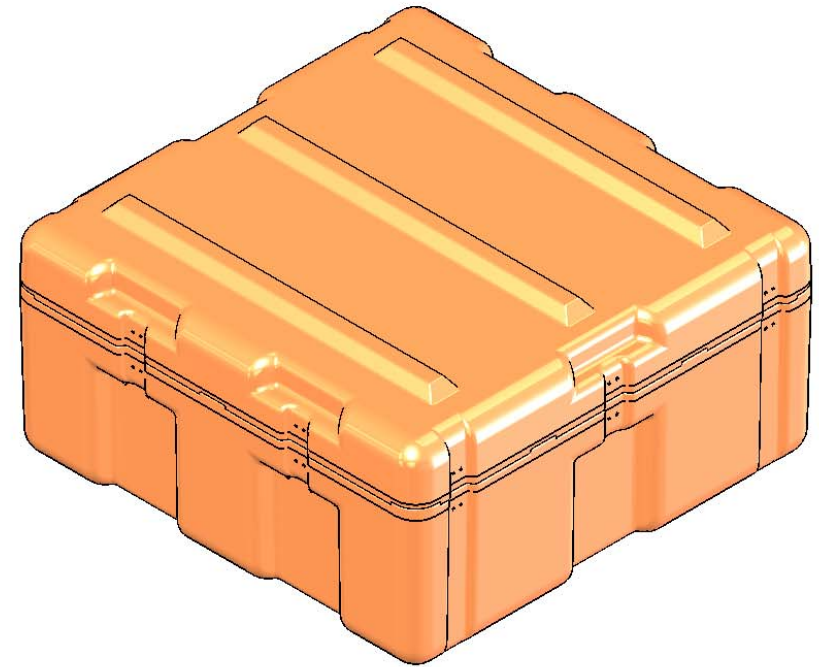
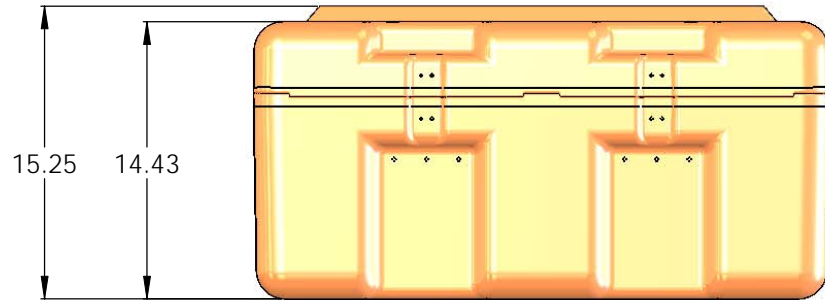
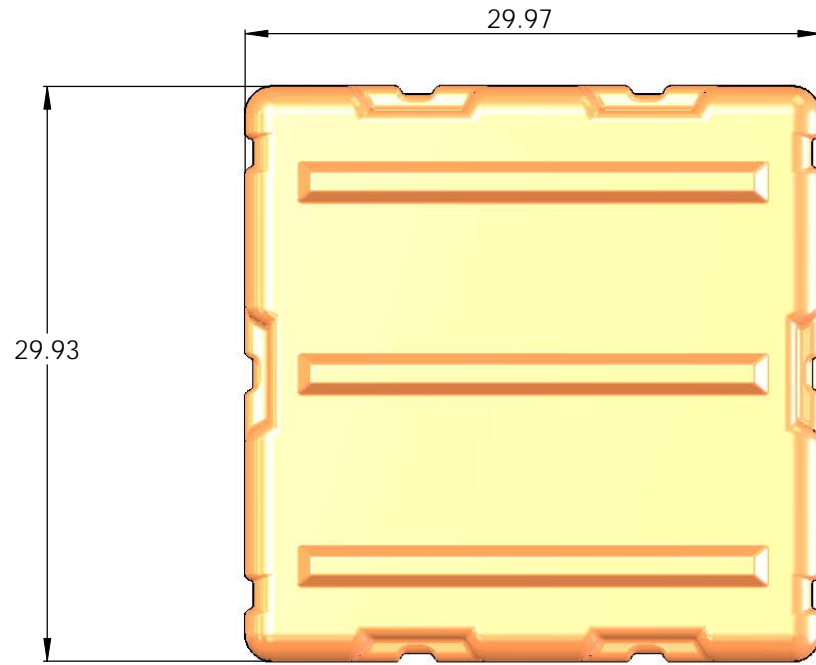


REVISIONS			
LEVEL	DESCRIPTION	APPROVED	DATE



MATERIALS:	DIMENSIONAL TOLERANCES		NAME	DATE
XXXX	ALL DIMENSIONS IN INCHES UNLESS NOTED OTHERWISE			
	00 - 06"	0.125"	DRAWN	J THOMSON
	06 - 12"	0.250"		
	12 - 50"	0.375"		
ONE COMPLETE SET INCLUDES:	ASSEMBLY:		CHECKED	J LUCHKA
XXXX	XXXX		APPROVED	J THOMSON

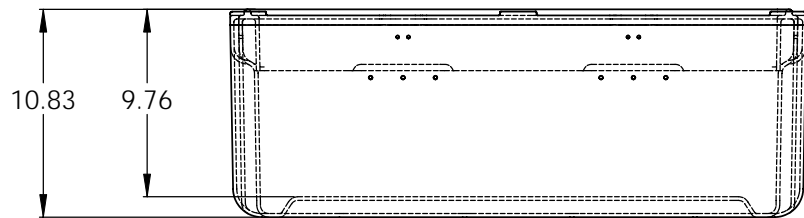
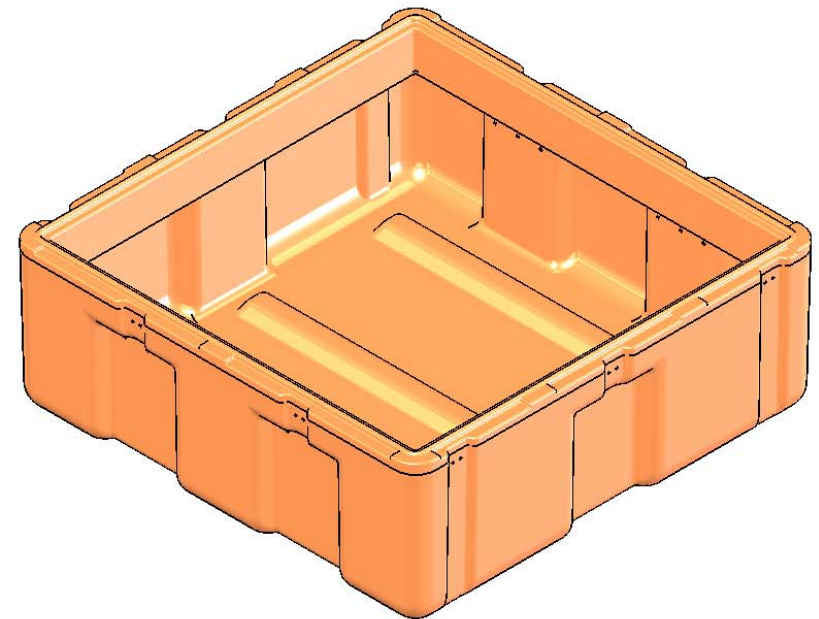
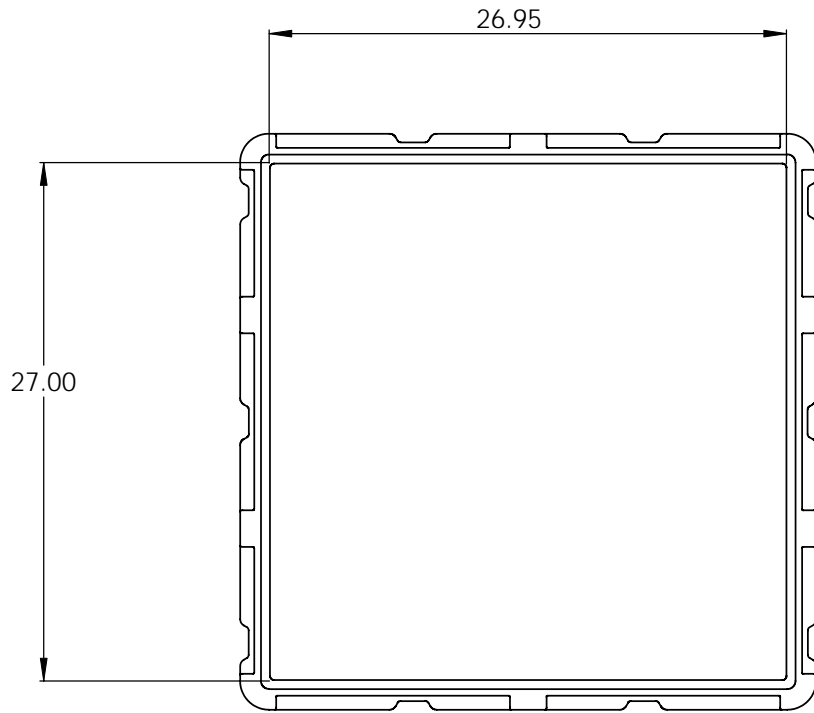


TITLE:
 ROTOMOLD CASE
 AP2727-0904
 ASSEMBLY

SIZE	DWG. NO.	REV
C	700-038	

PROPRIETARY AND CONFIDENTIAL
 THE INFORMATION CONTAINED IN THIS DRAWING IS THE SOLE PROPERTY OF AMERIPACK. ANY REPRODUCTION IN PART OR AS A WHOLE WITHOUT THE WRITTEN PERMISSION OF AMERIPACK IS PROHIBITED.

REVISIONS			
LEVEL	DESCRIPTION	APPROVED	DATE



MATERIALS:	DIMENSIONAL TOLERANCES	
XXXX	ALL DIMENSIONS IN INCHES UNLESS NOTED OTHERWISE	
	00 - 06"	0.125"
	06 - 12"	0.250"
	12 - 50"	0.375"
ONE COMPLETE SET INCLUDES:	ASSEMBLY:	DRAWN
XXXX	XXXX	J THOMSON
		CHECKED
		J LUCHKA
		APPROVED
		J THOMSON

NAME	DATE
J THOMSON	07/31/07
J LUCHKA	
J THOMSON	

AMERIPACK

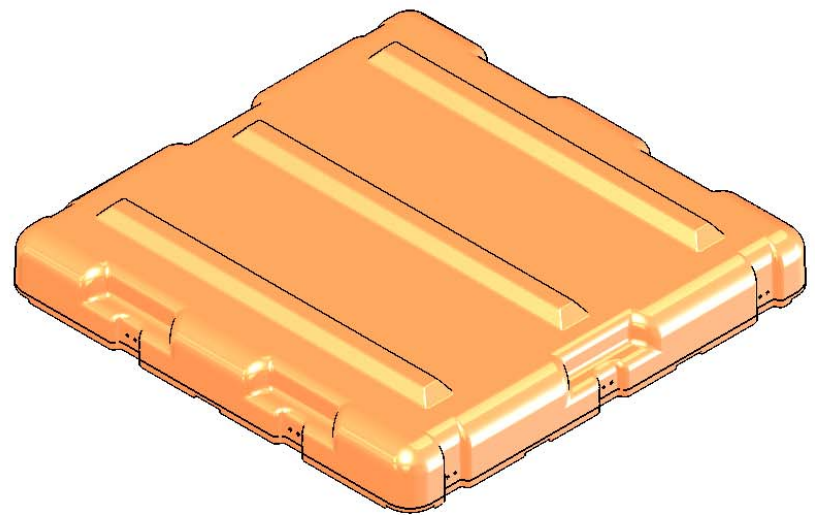
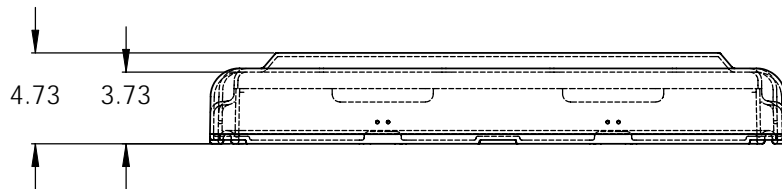
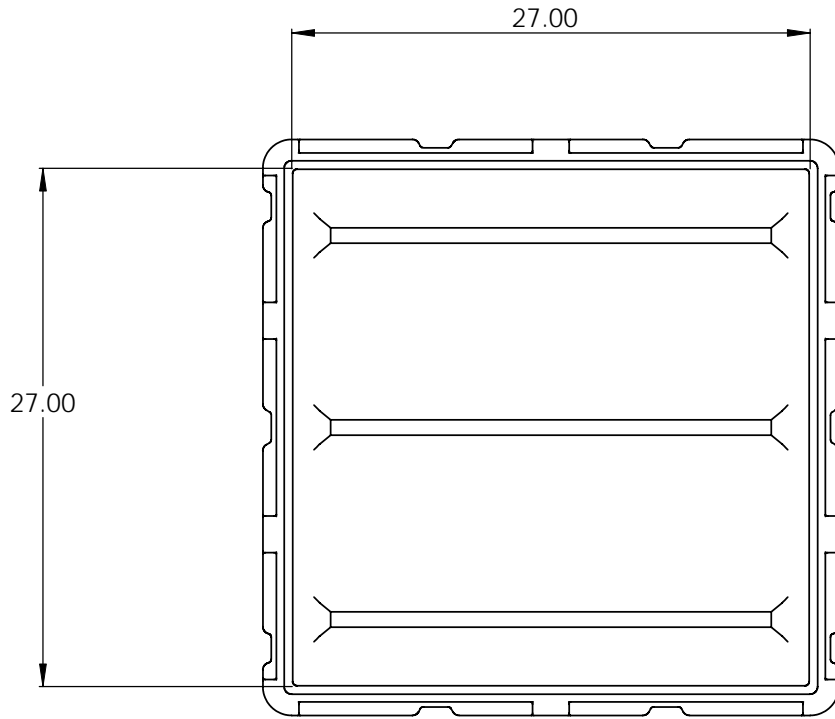
TITLE:
**ROTOMOLD CASE
 AP2727-0904
 BASE**

SIZE	DWG. NO.	REV
C	700-038	

SCALE: N/A SHEET 2 OF 3

PROPRIETARY AND CONFIDENTIAL
 THE INFORMATION CONTAINED IN THIS DRAWING IS THE SOLE PROPERTY OF AMERIPACK. ANY REPRODUCTION IN PART OR AS A WHOLE WITHOUT THE WRITTEN PERMISSION OF AMERIPACK IS PROHIBITED.

REVISIONS			
LEVEL	DESCRIPTION	APPROVED	DATE



MATERIALS:	DIMENSIONAL TOLERANCES		NAME	DATE
XXXX	ALL DIMENSIONS IN INCHES UNLESS NOTED OTHERWISE		J THOMSON	07/31/07
	00 - 06"	0.125"		
	06 - 12"	0.250"		
	12 - 50"	0.375"		
ONE COMPLETE SET INCLUDES:	ASSEMBLY:	DRAWN	J THOMSON	
XXXX	XXXX	CHECKED	J LUCHKA	
		APPROVED	J THOMSON	



TITLE:
**ROTOMOLD CASE
 AP2727-0904
 LID**

SIZE C	DWG. NO. 700-038	REV
SCALE: N/A	SHEET 3 OF 3	

PROPRIETARY AND CONFIDENTIAL
 THE INFORMATION CONTAINED IN THIS DRAWING IS THE SOLE PROPERTY OF AMERIPACK. ANY REPRODUCTION IN PART OR AS A WHOLE WITHOUT THE WRITTEN PERMISSION OF AMERIPACK IS PROHIBITED.