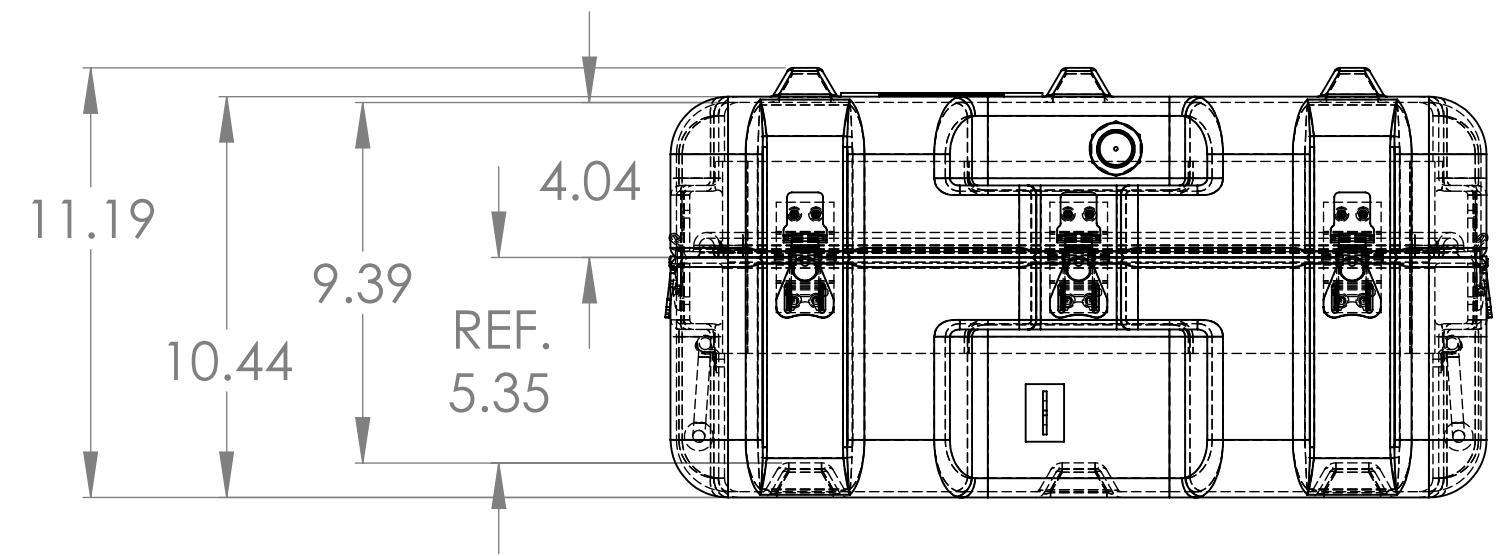
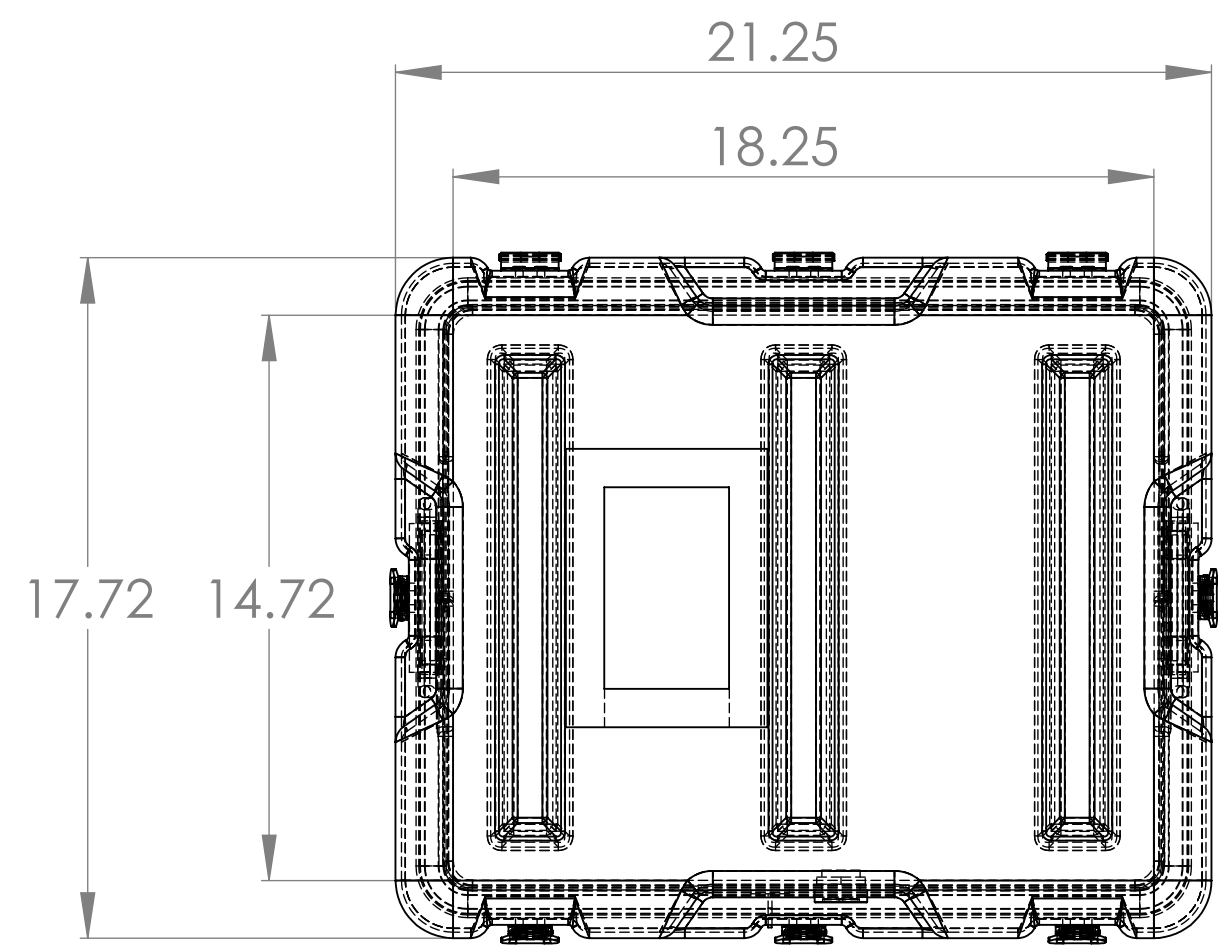
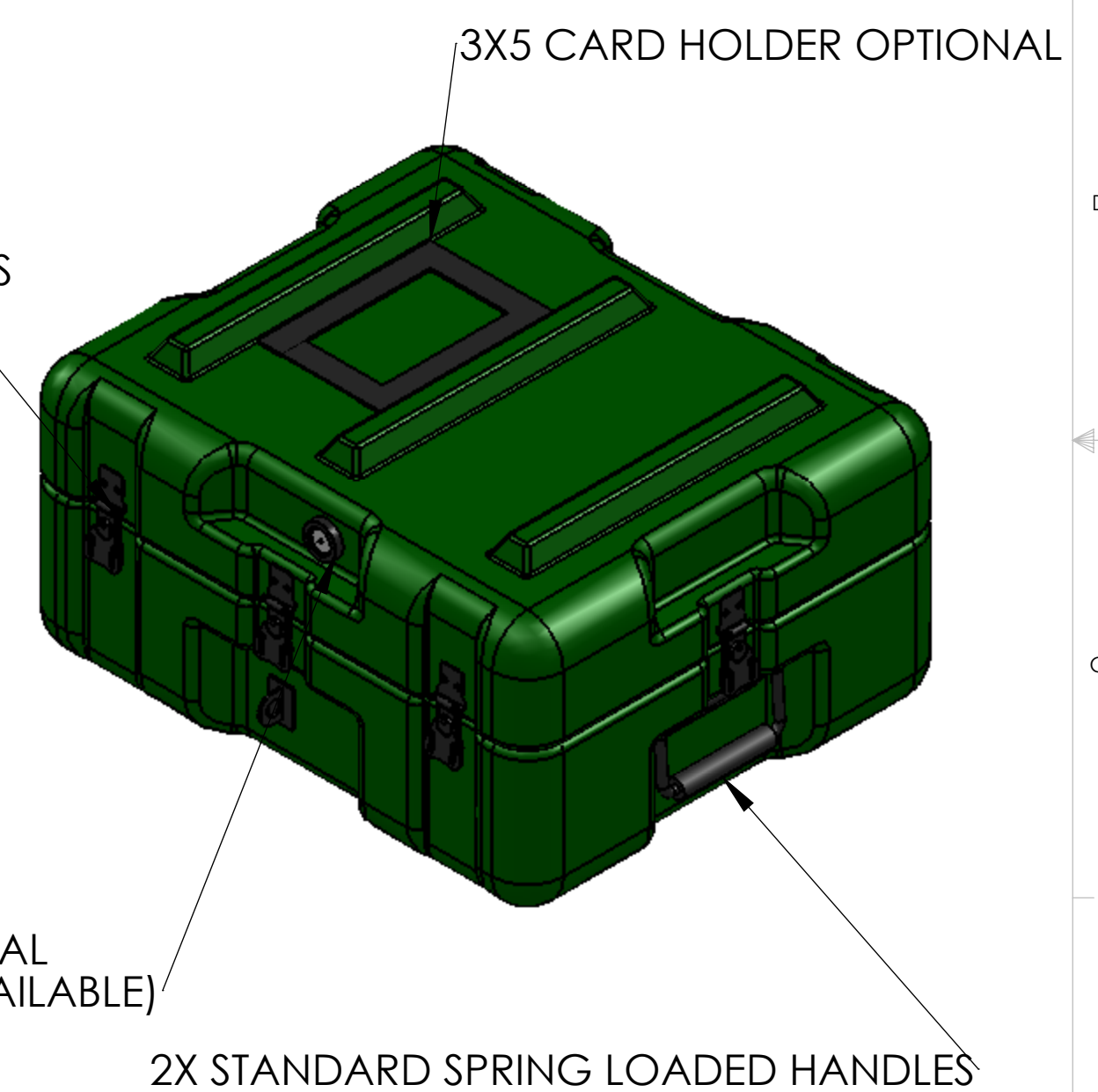


REVISIONS			
LEVEL	DESCRIPTION	APPROVED	DATE



8X STANDARD LATCHES
(OPTIONAL 3X HINGES/5X LATCHES
FOR HINGED LID AVAILABLE)

PRESSURE RELIEF VALVE OPTIONAL
(OPTIONAL HUMIDITY INDICATOR AVAILABLE)



MATERIALS:	DIMENSIONAL TOLERANCES			
ROTOMOLDED POLYETHYLENE	ALL DIMENSIONS IN INCHES UNLESS NOTED OTHERWISE			
	00 - 06"	0.020 + 0.005 * (DIMENSION)		
	06 - 50"	0.030 + 0.005 * (DIMENSION)		
	50 - 100"	0.030 + 0.006 * (DIMENSION)		
ONE COMPLETE SET INCLUDES:	ASSEMBLY:		DRAWN	M SCHRAPP 01/28/10
ONE (1) CASE, AS SHOWN	XXXX		CHECKED	J THOMSON
			APPROVED	J THOMSON

NAME	DATE
M SCHRAPP	01/28/10
J THOMSON	
J THOMSON	

AMERIPACK

TITLE:
AMERIPACK
AP1814-0504
ROTOMOLD CASE

SIZE | DWG. NO. | REV
C AP1814-0504

SCALE: N/A | SHEET 1 OF 1

PROPRIETARY AND CONFIDENTIAL
THE INFORMATION CONTAINED IN THIS DRAWING IS THE SOLE PROPERTY OF AMERIPACK. ANY REPRODUCTION IN PART OR AS A WHOLE WITHOUT THE WRITTEN PERMISSION OF AMERIPACK IS PROHIBITED.