

Rotationally Molded Shipping and Storage Containers by Ameripack offers top of the line convenience and portability. It has our industry leading lifetime warranty. All Roto-Molded Shipping and Storage Containers are produced to the rigorous specifications of the Airline Transportation Association and comply with the ATA 300 Category 1 specification for 100 trip applications. Roto-Molded shipping and Storage containers can be produced to be airtight and water tight. These containers also conform to the specifications of many Mil-Specifications and Federal standards.

AMERIPACK AP3018-1003WH



Standard Features

- Black EM-Coated Hardware
- Case Pictured with Standard Black Hardware, Hinged Lid, Plastic Handles, and Molded from OD Green Polyethylene
- Available in Black, Light Grey, Dark Grey, Blue, Red, Yellow, Orange, OD Green, Desert Tan, White, and Natural

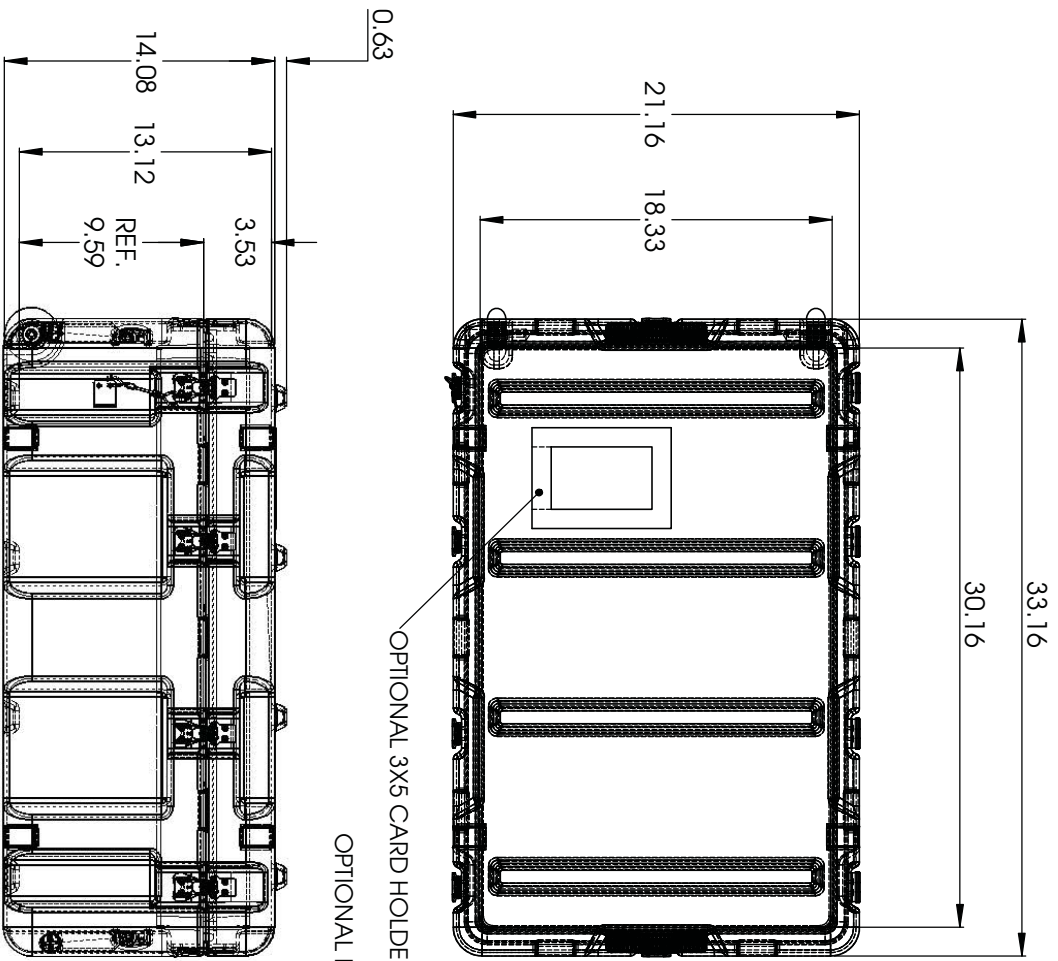
Optional Features

- Reverse application
- Stainless steel hardware
- Pressure Relief Valve
- Tie down rings
- Card holder
- Custom stencil labeling
- Humidity indicator

Dimensions: AP3018-1003WH

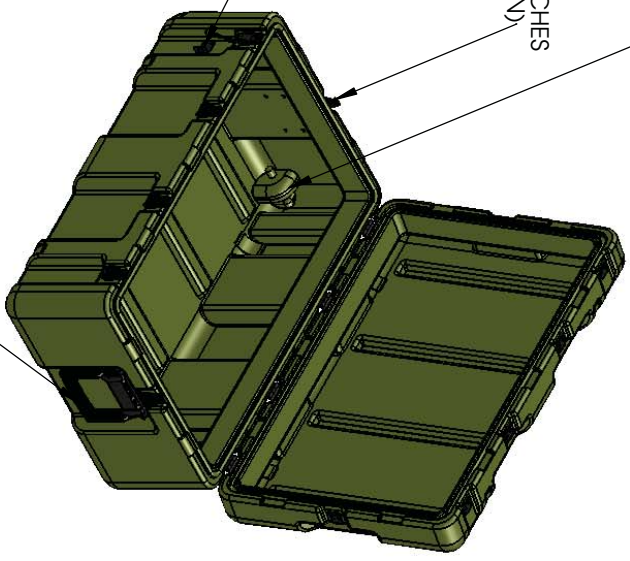
Weight	39lbs.
Length (Inside)	30.00 in (762mm)
Width (Inside)	18.00 in (457.2mm)
Depth (Inside)	13.00 in (330.2mm)
Base Depth (Inside)	9.50 in (241.3mm)
Lid Depth (Inside)	3.50 in (88.9mm)
Length (Outside)	32.75 in (831.8mm)
Width (Outside)	20.87 in (530.1mm)
Depth (Outside)	12.61 in (320.3mm)





OTHER AVAILABLE OPTIONS:
 PRESSURE RELIEF VALVE
 HUMIDITY INDICATOR
 STAINLESS STEEL HARDWARE
 CASE COLOR IS OPTIONAL

2X STANDARD PLASTIC HANDLES
 (OPTIONAL SPRING LOADED METAL HANDLES AVAILABLE)



MATERIALS:

ROTMOLDED POLYETHYLENE

ONE COMPLETE SET INCLUDES:

DIMENSIONAL TOLERANCES			
ALL DIMENSIONS IN INCHES UNLESS NOTED OTHERWISE			
00 - 06"	0.125"		
06 - 12"	0.250"		
12 - 50"	0.375"		

ONE (1) CASE, AS SHOWN

ASSEMBLY: XXXX

NAME	DATE
J THOMSON	04/20/11
M SCHRAPP	
J THOMSON	

DRAWN	J THOMSON	04/20/11
CHECKED	M SCHRAPP	
APPROVED	J THOMSON	



TITLE: AMERIPACK AP3018-1003WH ROTMOLD CASE
 SCALE: N/A
 SHEET 1 OF 1

PROPRIETARY AND CONFIDENTIAL
 THE INFORMATION CONTAINED IN THIS DRAWING IS THE SOLE PROPERTY OF AMERIPACK AND IS TO BE USED ONLY IN CONNECTION WITH THE WRITTEN PERMISSION OF AMERIPACK IS FURNISHED.