

Rotationally Molded Shipping and Storage Containers by Ameripack offers top of the line convenience and portability. It has our industry leading lifetime warranty. All Roto-Molded Shipping and Storage Containers are produced to the rigorous specifications of the Airline Transportation Association and comply with the ATA 300 Category 1 specification for 100 trip applications. Roto-Molded shipping and Storage containers can be produced to be airtight and water tight. These containers also conform to the specifications of many Mil-Specifications and Federal standards.

AMERIPACK AP3424-1105



Standard Features

- Black EM-Coated Hardware Standard
- Available with Stainless Steel Hardware, PRV Valves, Humidity Indicators, Card Holders, Molded In Logos and Labels,
- Case Pictured with Standard Black Hardware, Hinged Lid, Plastic Handles, and Molded from Red Polyethylene
- Available in Black, Light Grey, Dark Grey, Blue, Red, Yellow, Orange, OD Green, Desert Tan, White, and Natural

Optional Features

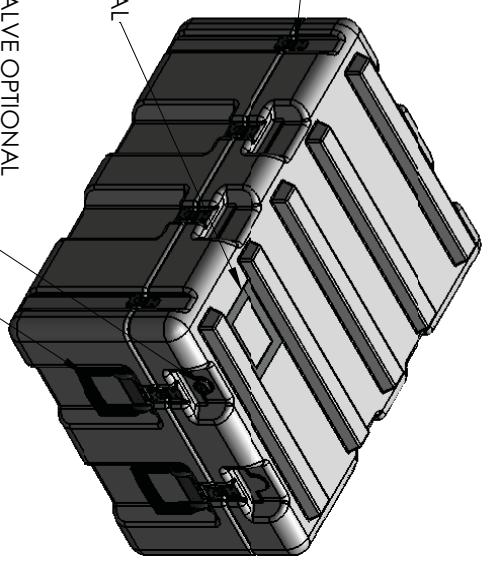
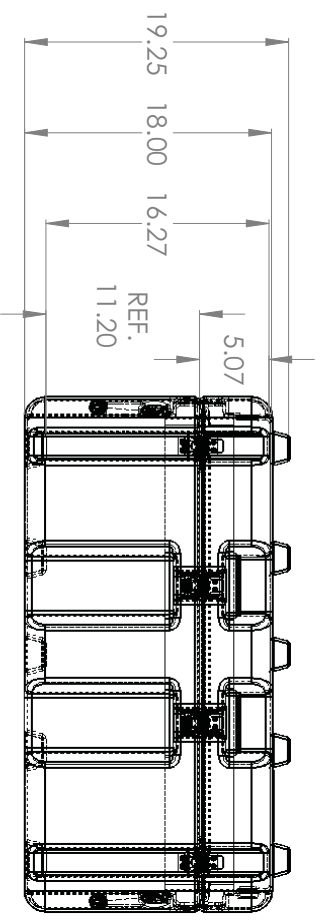
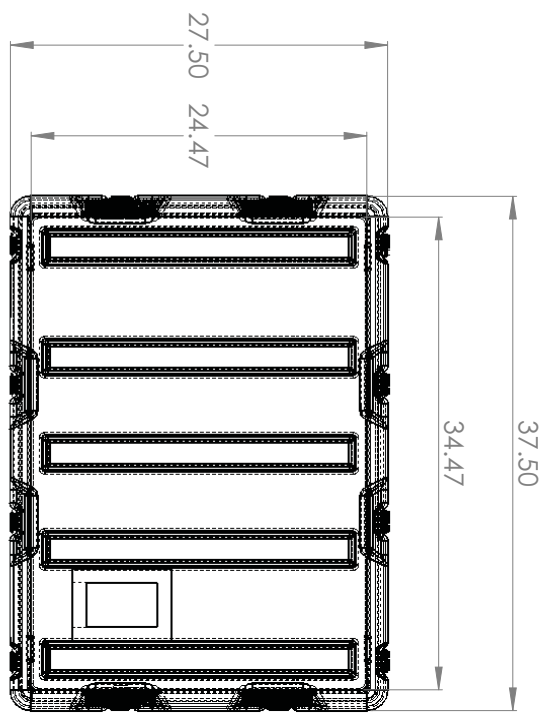
- Reverse application
- Stainless steel hardware
- Pressure Relief Valve
- Tie down rings
- Card holder
- Custom stencil labeling
- Humidity indicator

Dimensions: AP3424-1105

Weight	35 lbs.
Length (Inside)	34.25 in (869.9mm)
Width (Inside)	24.00 in (609.6mm)
Depth (Inside)	15.75 in (400mm)
Base Depth (Inside)	11.00 in (279.4mm)
Lid Depth (Inside)	4.75 in (120.6mm)
Length (Outside)	37.50 in (952.5mm)
Width (Outside)	27.25 in (692.1mm)
Depth (Outside)	17.25 in (438.1mm)



REVISIONS		APPROVED	DATE
LEVEL	DESCRIPTION		



12X STANDARD LATCHES
(OPTIONAL 4X HINGES/8X LATCHES
FOR HINGED LID AVAILABLE)

3X5 CARD HOLDER OPTIONAL

PRESSURE RELIEF VALVE OPTIONAL
(OPTIONAL HUMIDITY INDICATOR AVAILABLE)

4X STANDARD PLASTIC HANDLES
(OPTIONAL SPRING LOADED HANDLES AVAILABLE)

DIMENSIONAL TOLERANCES

MATERIALS:

ALL DIMENSIONS IN INCHES UNLESS NOTED OTHERWISE

00 - 06"	0.125"
06 - 12"	0.250"
12 - 50"	0.375"

ONE COMPLETE SET INCLUDES:

ASSEMBLY:

ONE (1) CASE, AS SHOWN

XXXX

DRAWN M SCHRAPP 02/22/10

CHECKED J THOMSON

APPROVED J THOMSON



TITLE:
AMERIPACK
AP3424-1105
ROTOMOLD CASE

SCALE: N/A
SHEET 1 OF 1

PROPRIETARY AND CONFIDENTIAL
THE INFORMATION CONTAINED IN THIS DRAWING IS THE SOLE PROPERTY OF AMERIPACK. IT IS TO BE USED ONLY IN CONNECTION WITH THE PART OR AS A WHOLE WITHOUT THE WRITTEN PERMISSION OF AMERIPACK IS FORBIDDEN.