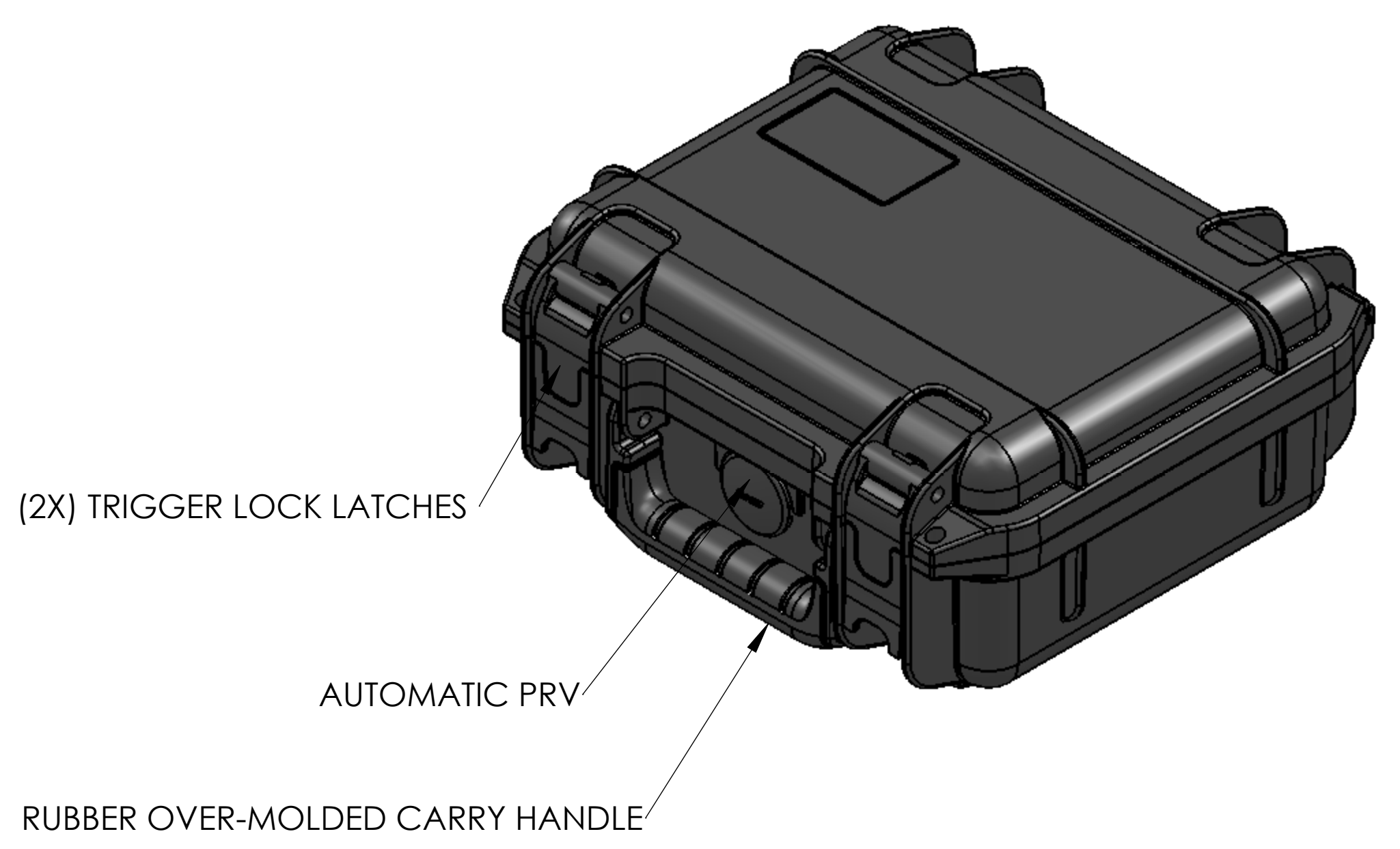
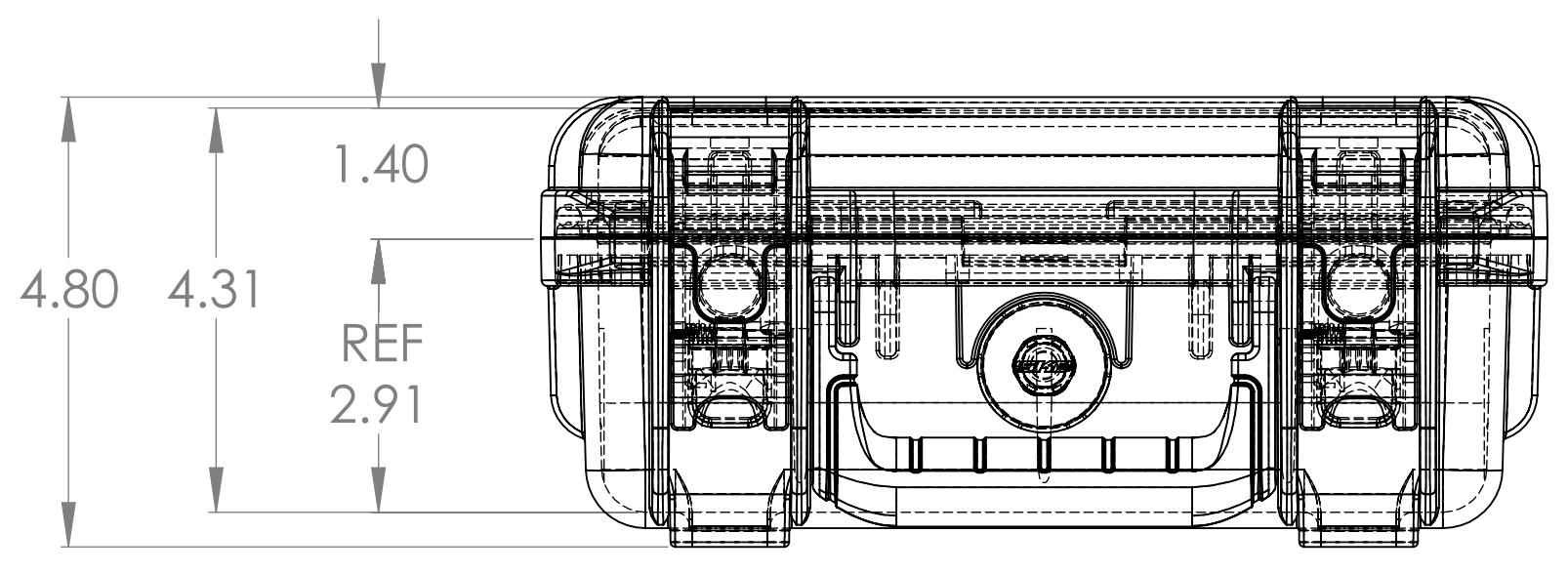
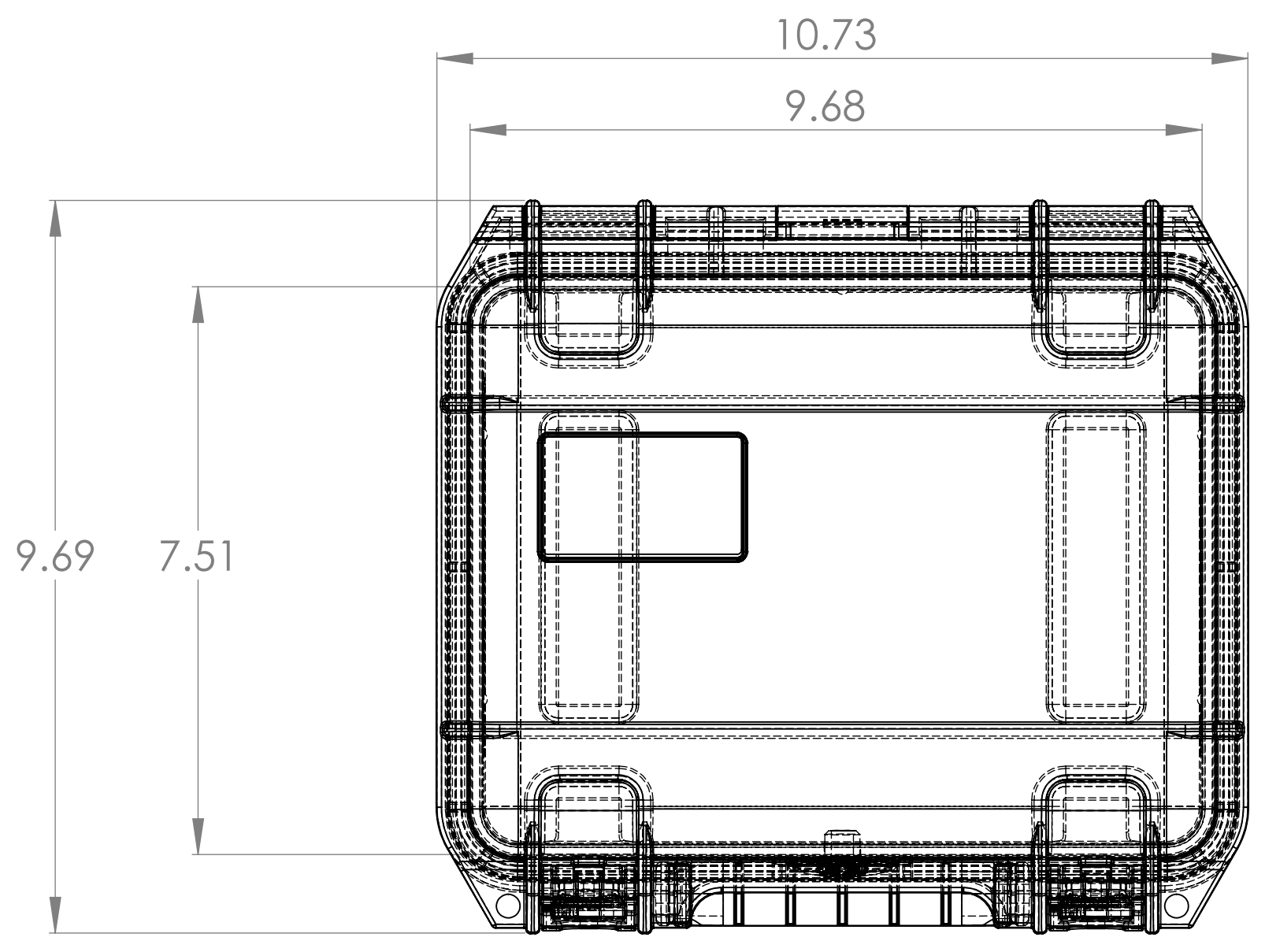


REVISIONS			
LEVEL	DESCRIPTION	APPROVED	DATE



MATERIALS:	DIMENSIONAL TOLERANCES				
INJECTION MOLDED POLYPROPYLENE	ALL DIMENSIONS IN INCHES UNLESS NOTED OTHERWISE				
	00 - 06"	0.125"			
	06 - 12"	0.250"			
	12 - 50"	0.375"			
ONE COMPLETE SET INCLUDES:	ASSEMBLY:		DRAWN	M SCHRAPP	03/08/10
ONE (1) CASE, AS SHOWN	XXXX		CHECKED	L GORDON	
			APPROVED	J THOMSON	



TITLE: AP3I-0907-4
MIL STD CASE
ASSEMBLY

SIZE DWG. NO. REV
C AP3I-0907-4
SCALE: N/A SHEET 1 OF 1

PROPRIETARY AND CONFIDENTIAL
THE INFORMATION CONTAINED IN THIS DRAWING IS THE SOLE PROPERTY OF AMERIPACK. ANY REPRODUCTION IN PART OR AS A WHOLE WITHOUT THE WRITTEN PERMISSION OF AMERIPACK IS PROHIBITED.