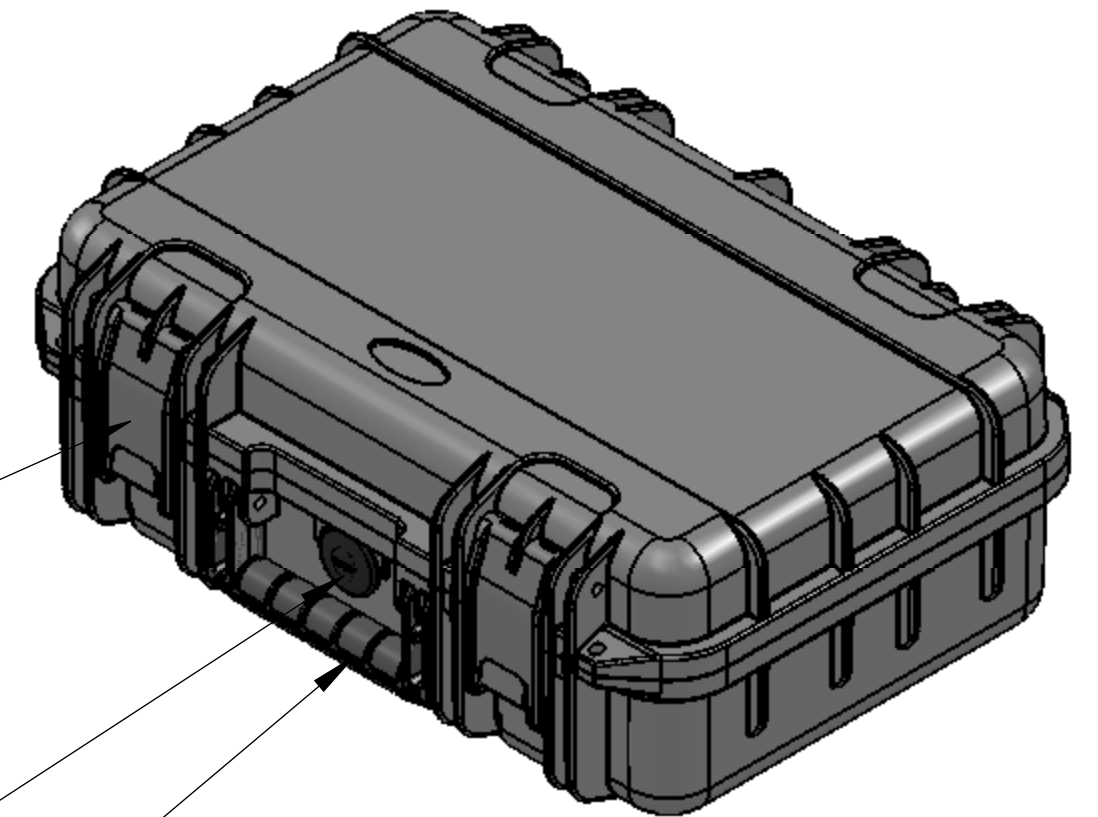
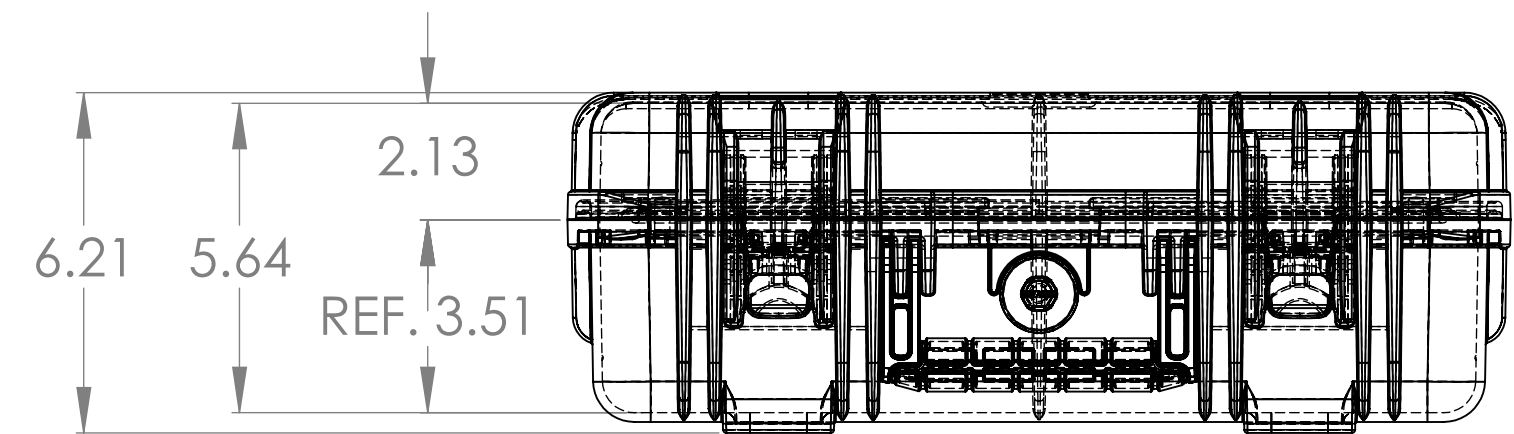
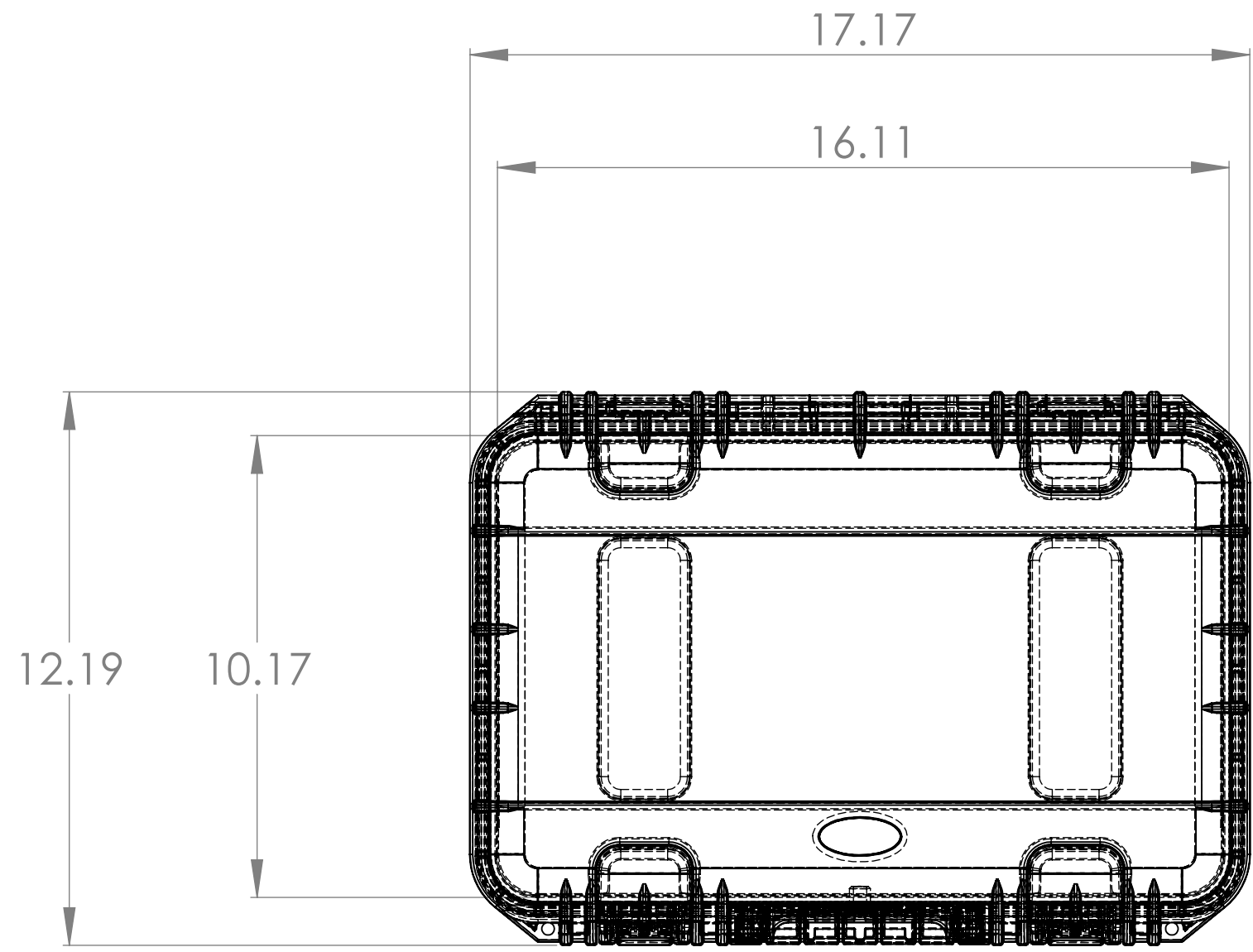


REVISIONS			
LEVEL	DESCRIPTION	APPROVED	DATE



(2X) TRIGGER LOCK LATCHES

AUTOMATIC PRV

RUBBER OVER-MOLDED CARRY HANDLE

MATERIALS:	DIMENSIONAL TOLERANCES	
INJECTION MOLDED POLYPROPYLENE	ALL DIMENSIONS IN INCHES UNLESS NOTED OTHERWISE	
	00 - 06"	0.125"
	06 - 12"	0.250"
	12 - 50"	0.375"
ONE COMPLETE SET INCLUDES:	ASSEMBLY:	
ONE (1) CASE, AS SHOWN	XXXX	

	NAME	DATE
DRAWN	M SCHRAPP	03/08/10
CHECKED	L GORDON	
APPROVED	J THOMSON	

AMERIPACK

TITLE: AP3I-1610-5
MIL STD CASE
ASSEMBLY

SIZE | DWG. NO. | REV
C AP3I-1610-5

SCALE: N/A | SHEET 1 OF 1

PROPRIETARY AND CONFIDENTIAL
THE INFORMATION CONTAINED IN THIS DRAWING IS THE SOLE PROPERTY OF AMERIPACK. ANY REPRODUCTION IN PART OR AS A WHOLE WITHOUT THE WRITTEN PERMISSION OF AMERIPACK IS PROHIBITED.