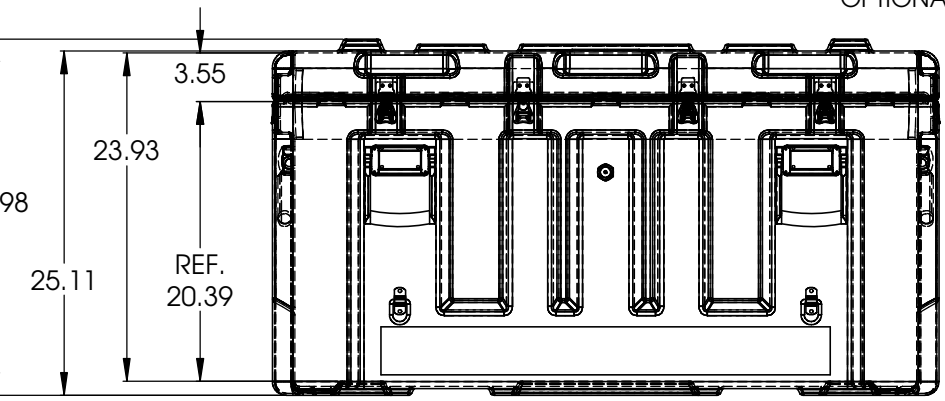
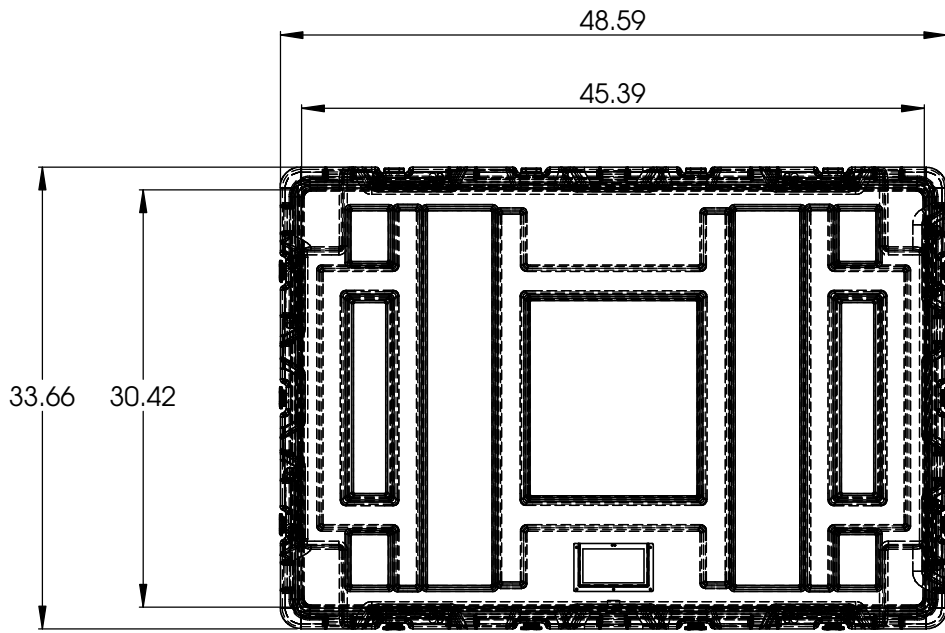


REVISIONS			
LEVEL	DESCRIPTION	APPROVED	DATE



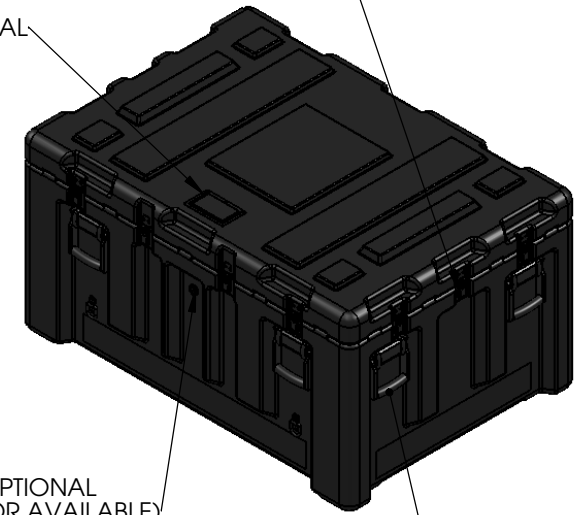
14X STANDARD LATCHES  
(OPTIONAL 4X HINGES/10X LATCHES  
FOR HINGED LID AVAILABLE)

3X5 CARD HOLDER OPTIONAL

OPTIONAL LOCKING HASP AVAILABLE

PRESSURE RELIEF VALVE OPTIONAL  
(OPTIONAL HUMIDITY INDICATOR AVAILABLE)

8X STANDARD PLASTIC HANDLES  
(STEEL SPRING LOADED HANDLES AVAILABLE)



MATERIALS:	DIMENSIONAL TOLERANCES		DRAWN	M SCHRAPP	DATE	NAME	DATE
	ALL DIMENSIONS IN INCHES UNLESS NOTED OTHERWISE						
MEDIUM DENSITY ROTATIONALLY MOLDED POLYETHYLENE	00 - 06"	0.020 + 0.005 * (DIMENSION)	CHECKED	M SCHRAPP			
	06 - 50"	0.030 + 0.005 * (DIMENSION)					
	50 - 100"	0.030 + 0.006 * (DIMENSION)					
ONE COMPLETE SET INCLUDES:	ASSEMBLY:		APPROVED	J THOMSON			
ONE (1) CASE, AS SHOWN	XXXX						



TITLE:  
AMERIPACK  
AP4530-2003  
ROTMOLD CASE

SCALE: N/A

SHEET 1 OF 1

**PROPRIETARY AND CONFIDENTIAL**  
THE INFORMATION CONTAINED IN THIS DRAWING IS THE SOLE PROPERTY OF AMERIPACK. ANY REPRODUCTION IN PART OR AS A WHOLE WITHOUT THE WRITTEN PERMISSION OF AMERIPACK IS PROHIBITED.