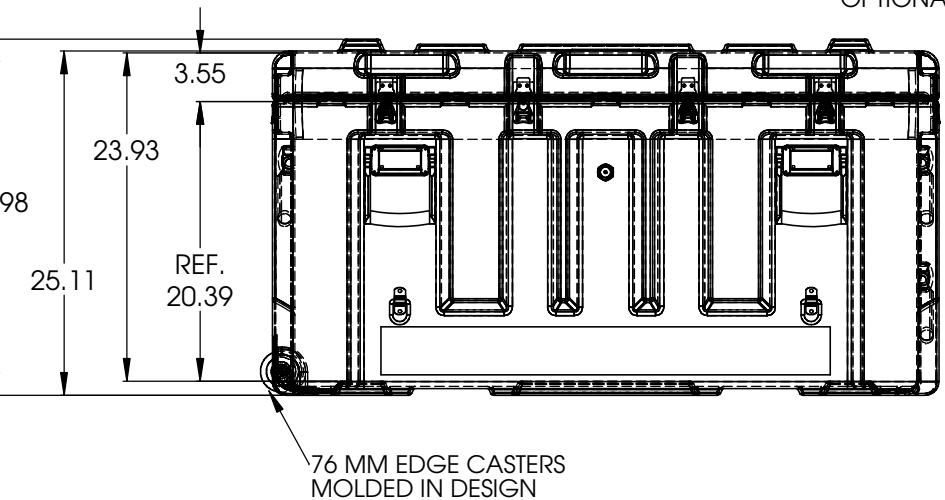
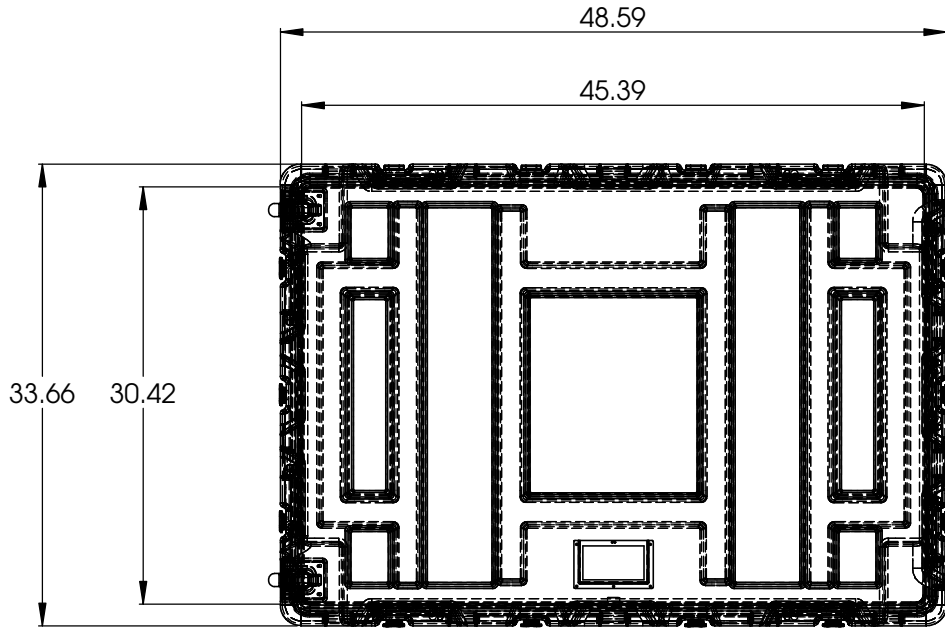
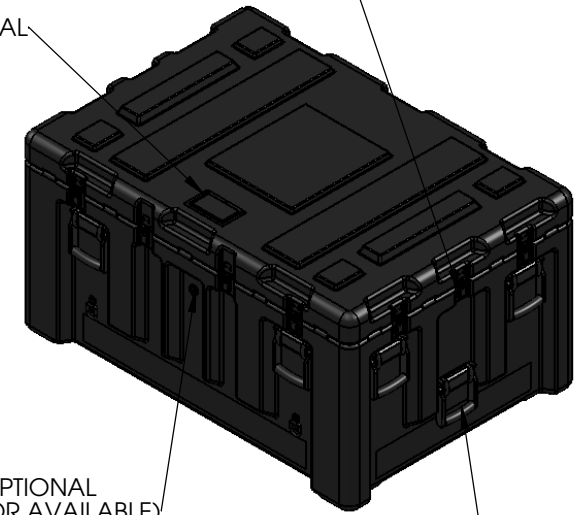


REVISIONS			
LEVEL	DESCRIPTION	APPROVED	DATE



14X STANDARD LATCHES
(OPTIONAL 4X HINGES/10X LATCHES
FOR HINGED LID AVAILABLE)

3X5 CARD HOLDER OPTIONAL



PRESSURE RELIEF VALVE OPTIONAL
(OPTIONAL HUMIDITY INDICATOR AVAILABLE)

9X STANDARD PLASTIC HANDLES
(STEEL SPRING LOADED HANDLES AVAILABLE)

MATERIALS:	DIMENSIONAL TOLERANCES	
MEDIUM DENSITY ROTATIONALLY MOLDED POLYETHYLENE	ALL DIMENSIONS IN INCHES UNLESS NOTED OTHERWISE	
	00 - 06"	0.020 + 0.005 * (DIMENSION)
	06 - 50"	0.030 + 0.005 * (DIMENSION)
	50 - 100"	0.030 + 0.006 * (DIMENSION)
ONE COMPLETE SET INCLUDES:	ASSEMBLY:	DRAWN
ONE (1) CASE, AS SHOWN	XXXX	CHECKED
		APPROVED

NAME	DATE
M SCHRAPP	05/20/11
M SCHRAPP	
J THOMSON	


 TITLE:
**AMERIPACK
 AP4530-2003WH
 ROTOMOLD CASE**
 SIZE DWG. NO. REV
C AP4530-2003WH
 SCALE: N/A SHEET 1 OF 1

PROPRIETARY AND CONFIDENTIAL
 THE INFORMATION CONTAINED IN THIS DRAWING IS THE SOLE PROPERTY OF AMERIPACK. ANY REPRODUCTION IN PART OR AS A WHOLE WITHOUT THE WRITTEN PERMISSION OF AMERIPACK IS PROHIBITED.