

Rotationally Molded Shipping and Storage Containers by Ameripack offers top of the line convenience and portability. It has our industry leading lifetime warranty. All Roto-Molded Shipping and Storage Containers are produced to the rigorous specifications of the Airline Transportation Association and comply with the ATA 300 Category 1 specification for 100 trip applications. Roto-Molded shipping and Storage containers can be produced to be airtight and water tight. These containers also conform to the specifications of many Mil-Specifications and Federal standards.

AMERIPACK AP1010-1405



Standard Features

- Thicker Corners Reduce Container Damage
- Thinner Walls Reduce Overall Weight
- Hinged or Removable Lid
- Black EM-Coated Hardware Standard
- Case Pictured with Standard Black Hardware, Hinged Lid, and Molded from Black Polyethylene

Optional Features

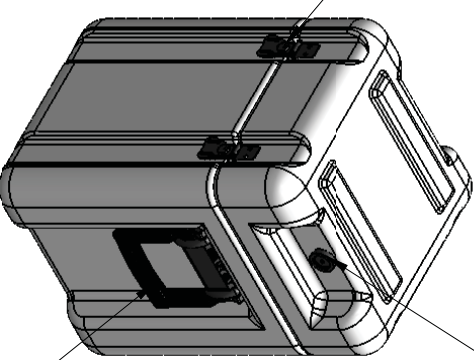
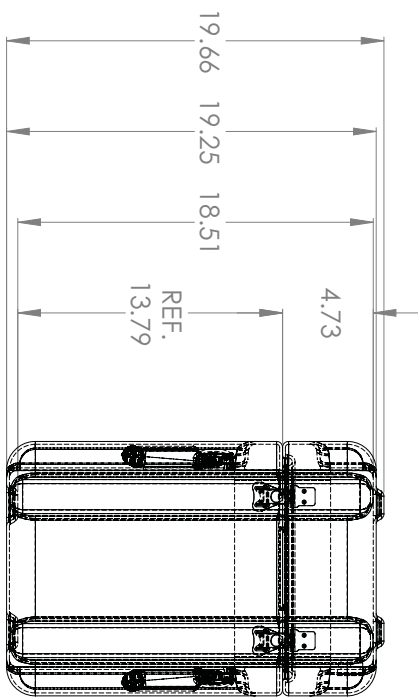
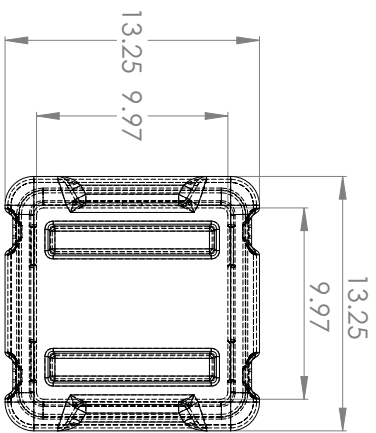
- Stainless steel hardware
- Pressure Relief Valve
- Tie down rings
- Card holder
- Custom stencil labeling
- Humidity indicator
- Many other options

Dimensions: AP1010-1405

Weight	10 lbs
Length (Inside)	9.75 in (247.6mm)
Width (Inside)	9.75 in (247.6mm)
Depth (Inside)	18.75 in (476.2mm)
Base Depth (Inside)	14.25 in (361.9mm)
Lid Depth (Inside)	4.50 in (114.3mm)
Length (Outside)	13.00 in (330.2mm)
Width (Outside)	13.00 in (330.2mm)
Depth (Outside)	20.25 in (514.3mm)



REVISIONS		APPROVED	DATE
LEVEL	DESCRIPTION		



4X STANDARD LATCHES
(OPTIONAL 2X HINGES/2X LATCHES
FOR HINGED LID AVAILABLE)

PRESSURE RELIEF VALVE OPTIONAL
(OPTIONAL HUMIDITY INDICATOR AVAILABLE)

2X STANDARD PLASTIC HANDLES
(OPTIONAL SPRING LOADED HANDLES AVAILABLE)

MATERIALS:
ROTOMOLDED POLYETHYLENE

ONE COMPLETE SET INCLUDES:
ASSEMBLY: XXXX

ONE (1) CASE, AS SHOWN

DIMENSIONAL TOLERANCES
ALL DIMENSIONS IN INCHES UNLESS NOTED OTHERWISE

NAME	DATE
00 - 06"	0.125"
06 - 12"	0.250"
12 - 50"	0.375"

DRAWN	NAME	DATE	TITLE:
M SCHRAPP	M SCHRAPP	01/28/10	AMERIPACK AP1010-1405 ROTOMOLD CASE
CHECKED	J THOMSON		
APPROVED	J THOMSON		



SCALE: N/A
SHEET 1 OF 1

PROPRIETARY AND CONFIDENTIAL
THE INFORMATION CONTAINED IN THIS DRAWING IS THE SOLE PROPERTY OF AMERIPACK AND IS TO BE USED ONLY IN CONNECTION WITH THE PART OR AS A WHOLE WITHOUT THE WRITTEN PERMISSION OF AMERIPACK IS FORBIDDEN.