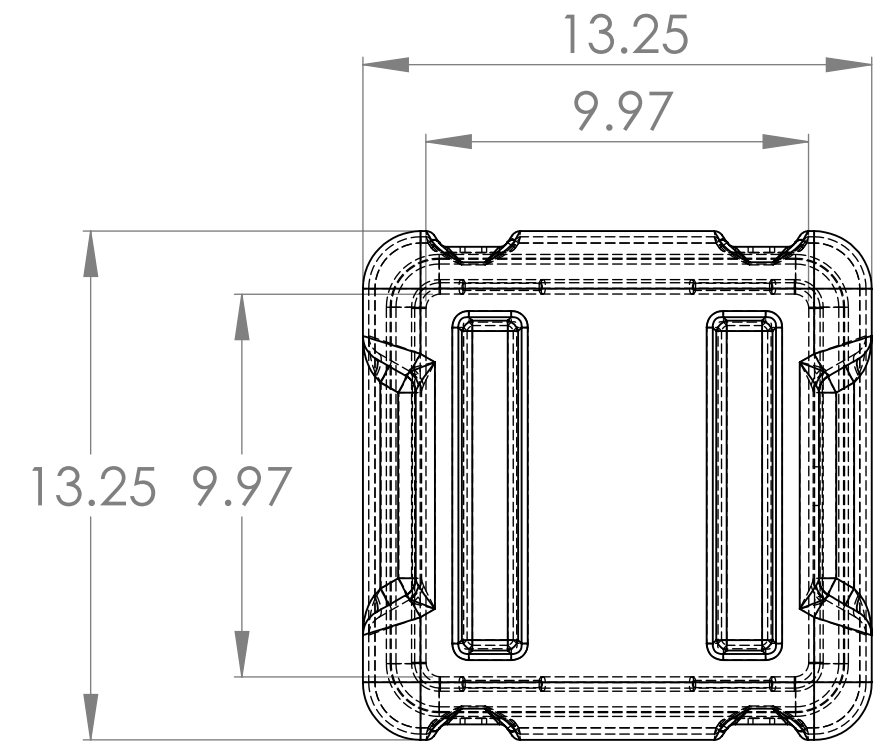


REVISIONS			
LEVEL	DESCRIPTION	APPROVED	DATE

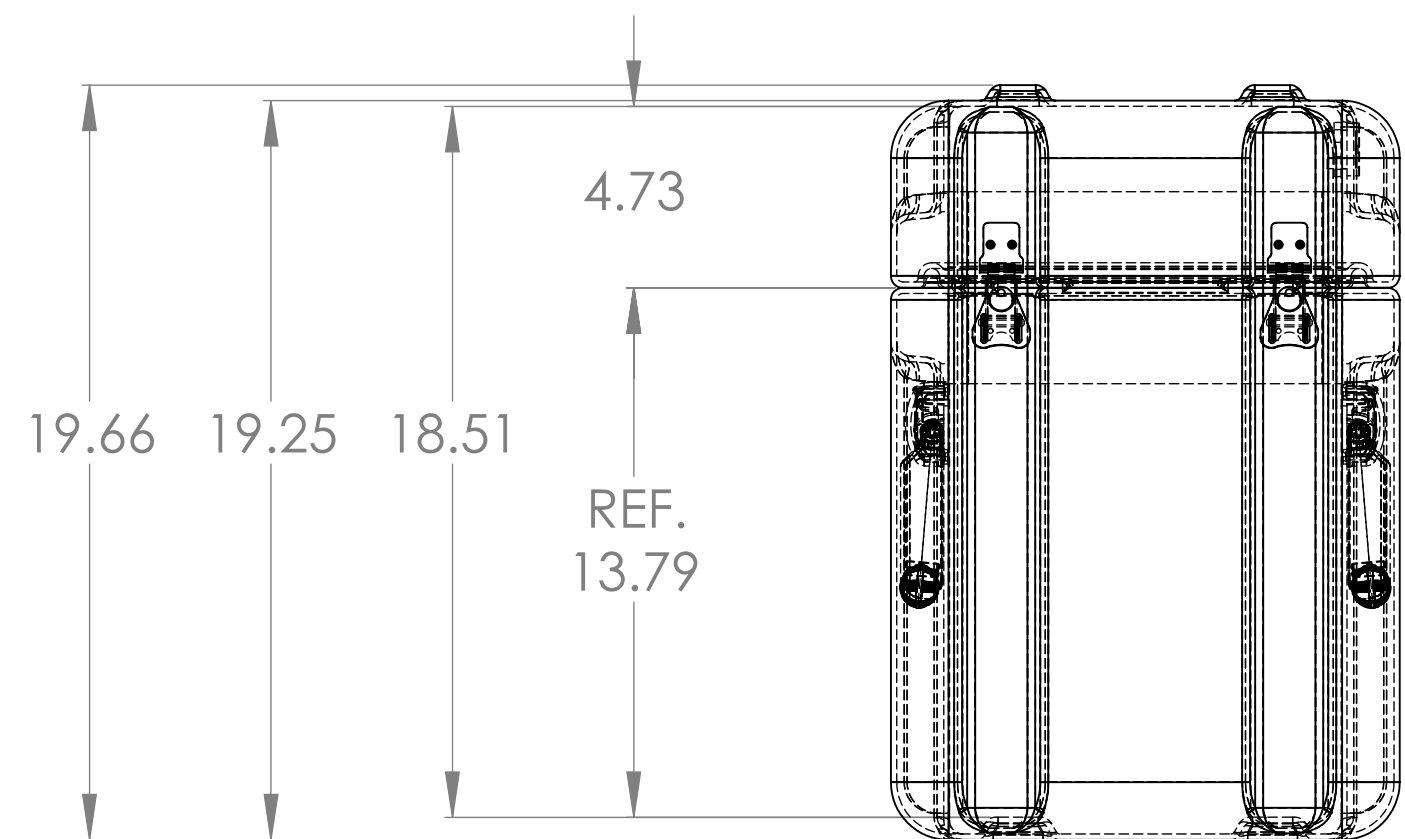


PRESSURE RELIEF VALVE OPTIONAL
(OPTIONAL HUMIDITY INDICATOR AVAILABLE)

4X STANDARD LATCHES
(OPTIONAL 2X HINGES/2X LATCHES
FOR HINGED LID AVAILABLE)



2X STANDARD PLASTIC HANDLES
(OPTIONAL SPRING LOADED HANDLES AVAILABLE)



MATERIALS:	DIMENSIONAL TOLERANCES		NAME	DATE
ROTOMOLDED POLYETHYLENE	ALL DIMENSIONS IN INCHES UNLESS NOTED OTHERWISE			
ONE COMPLETE SET INCLUDES: ONE (1) CASE, AS SHOWN	00 - 06"	0.020 + 0.005 * (DIMENSION)	DRAWN	M SCHRAPP
	06 - 50"	0.030 + 0.005 * (DIMENSION)		
	50 - 100"	0.030 + 0.006 * (DIMENSION)		
	ASSEMBLY:		CHECKED	J THOMSON
	XXXX		APPROVED	J THOMSON



TITLE:	AMERIPACK AP1010-1405 ROTOMOLD CASE
SIZE	DWG. NO.
C	AP1010-1405
SCALE: N/A	SHEET 1 OF 1

PROPRIETARY AND CONFIDENTIAL
THE INFORMATION CONTAINED IN THIS DRAWING IS THE SOLE PROPERTY OF AMERIPACK. ANY REPRODUCTION IN PART OR AS A WHOLE WITHOUT THE WRITTEN PERMISSION OF AMERIPACK IS PROHIBITED.