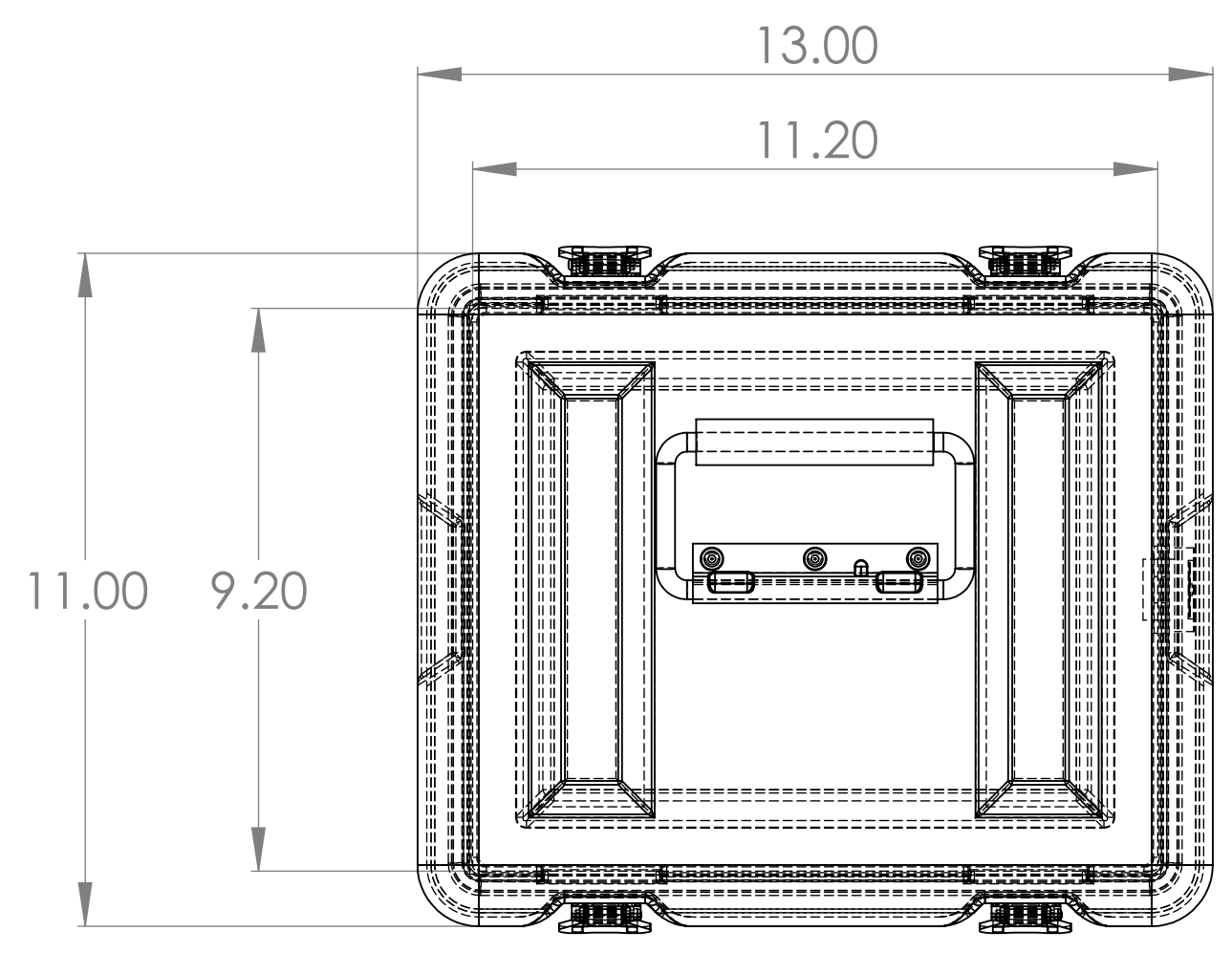
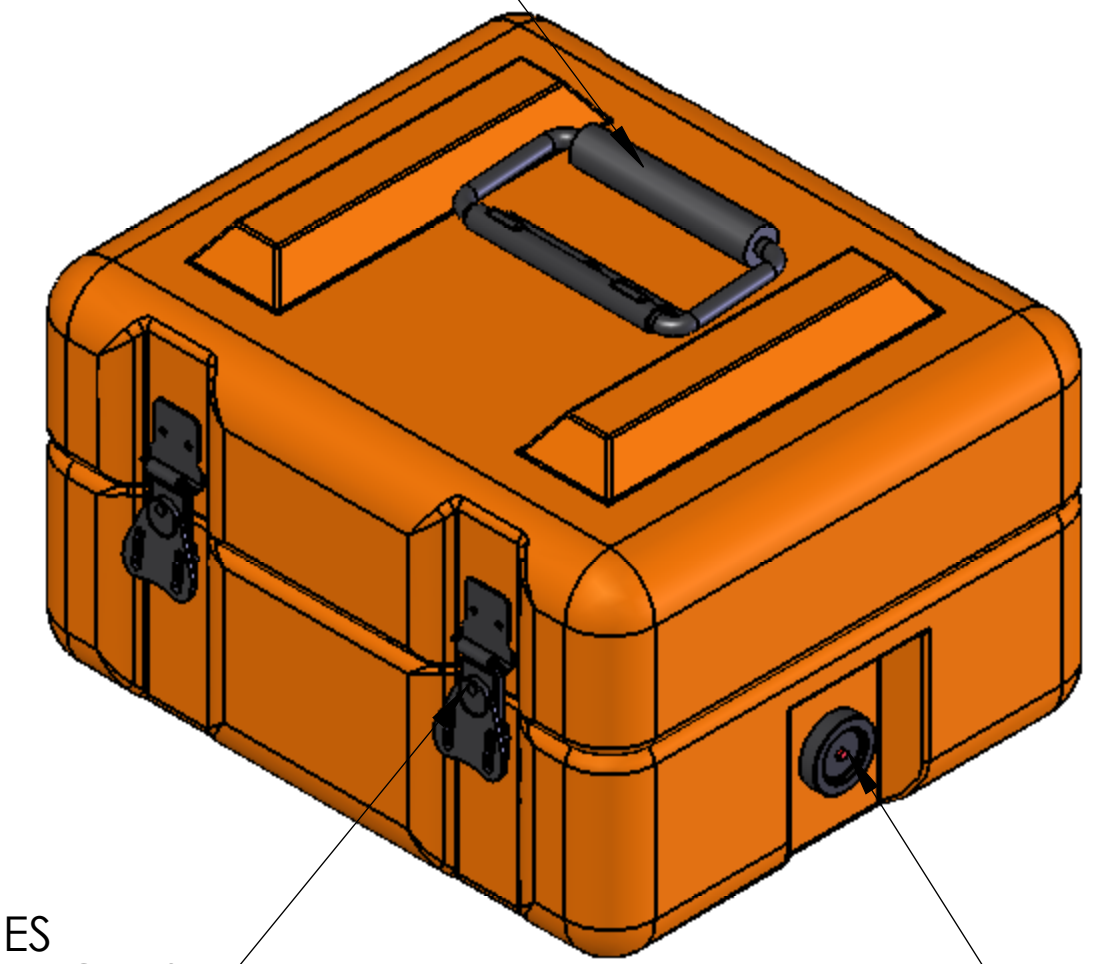


REVISIONS			
LEVEL	DESCRIPTION	APPROVED	DATE

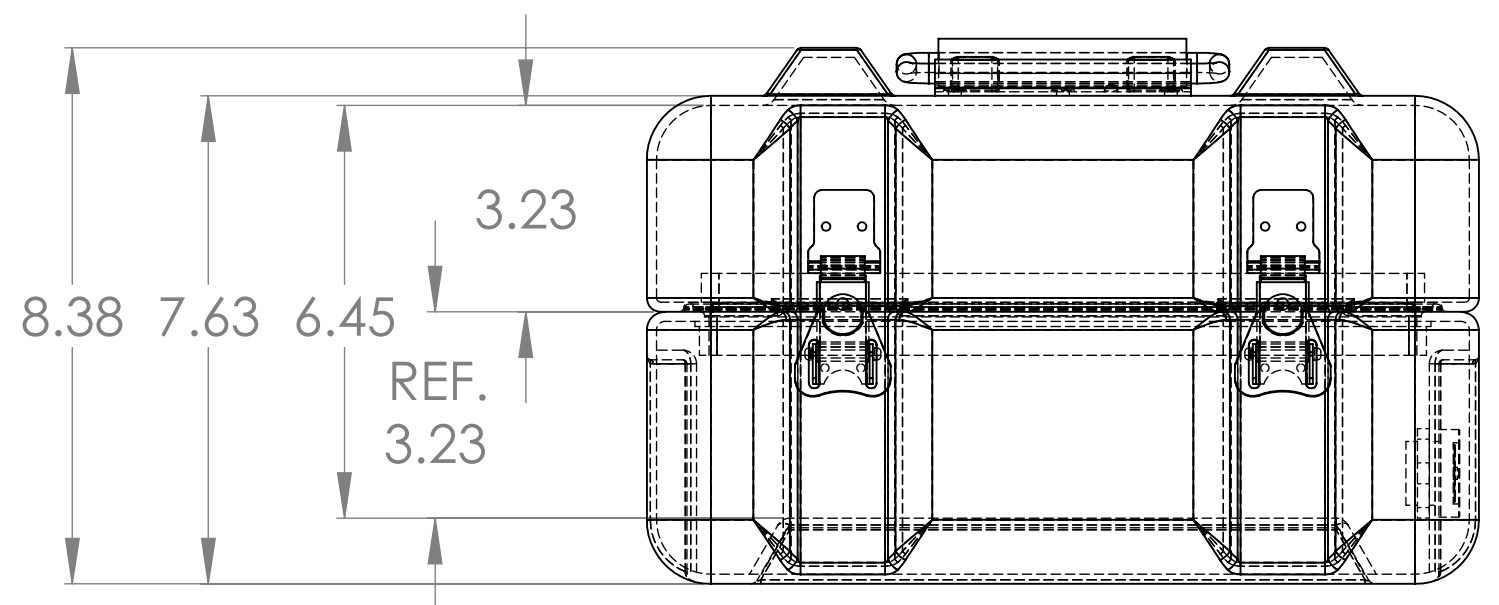


1X STANDARD SPRING LOADED HANDLE



4X STANDARD LATCHES
(OPTIONAL 2X HINGES/2X LATCHES FOR HINGED LID AVAILABLE)

PRESSURE RELIEF VALVE OPTIONAL
(OPTIONAL HUMIDITY INDICATOR AVAILABLE)



MATERIALS:	DIMENSIONAL TOLERANCES				
ROTOMOLDED POLYETHYLENE	ALL DIMENSIONS IN INCHES UNLESS NOTED OTHERWISE				
	00 - 06"	0.020 + 0.005 * (DIMENSION)			
	06 - 50"	0.030 + 0.005 * (DIMENSION)			
	50 - 100"	0.030 + 0.006 * (DIMENSION)			
ONE COMPLETE SET INCLUDES:	ASSEMBLY:		DRAWN	M SCHRAPP	01/28/10
ONE (1) CASE, AS SHOWN	XXXX		CHECKED	J THOMSON	
			APPROVED	J THOMSON	

NAME	DATE
M SCHRAPP	01/28/10
J THOMSON	
J THOMSON	

AMERIPACK

TITLE:
AMERIPACK
AP1109-0303
ROTOMOLD CASE

SIZE | DWG. NO. | REV
C AP1109-0303

SCALE: N/A | SHEET 1 OF 1

PROPRIETARY AND CONFIDENTIAL
THE INFORMATION CONTAINED IN THIS DRAWING IS THE SOLE PROPERTY OF AMERIPACK. ANY REPRODUCTION IN PART OR AS A WHOLE WITHOUT THE WRITTEN PERMISSION OF AMERIPACK IS PROHIBITED.