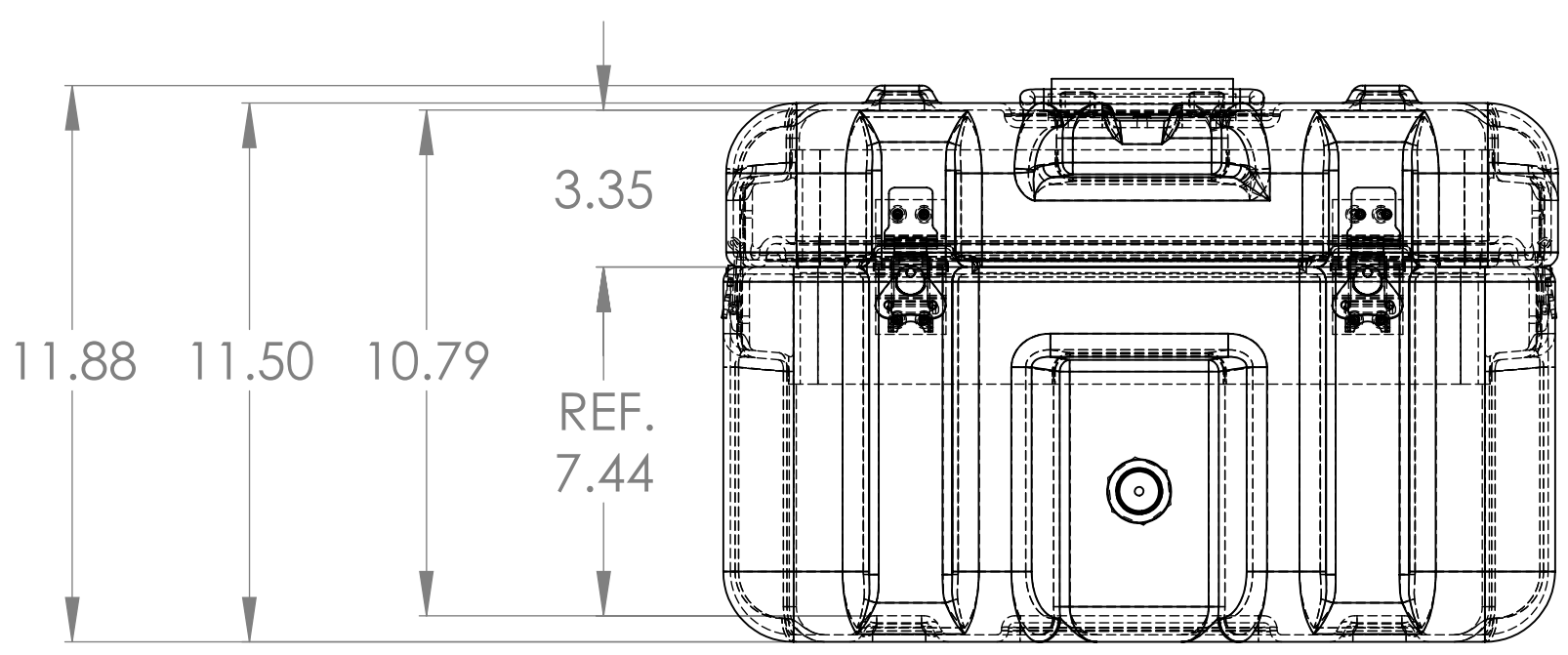
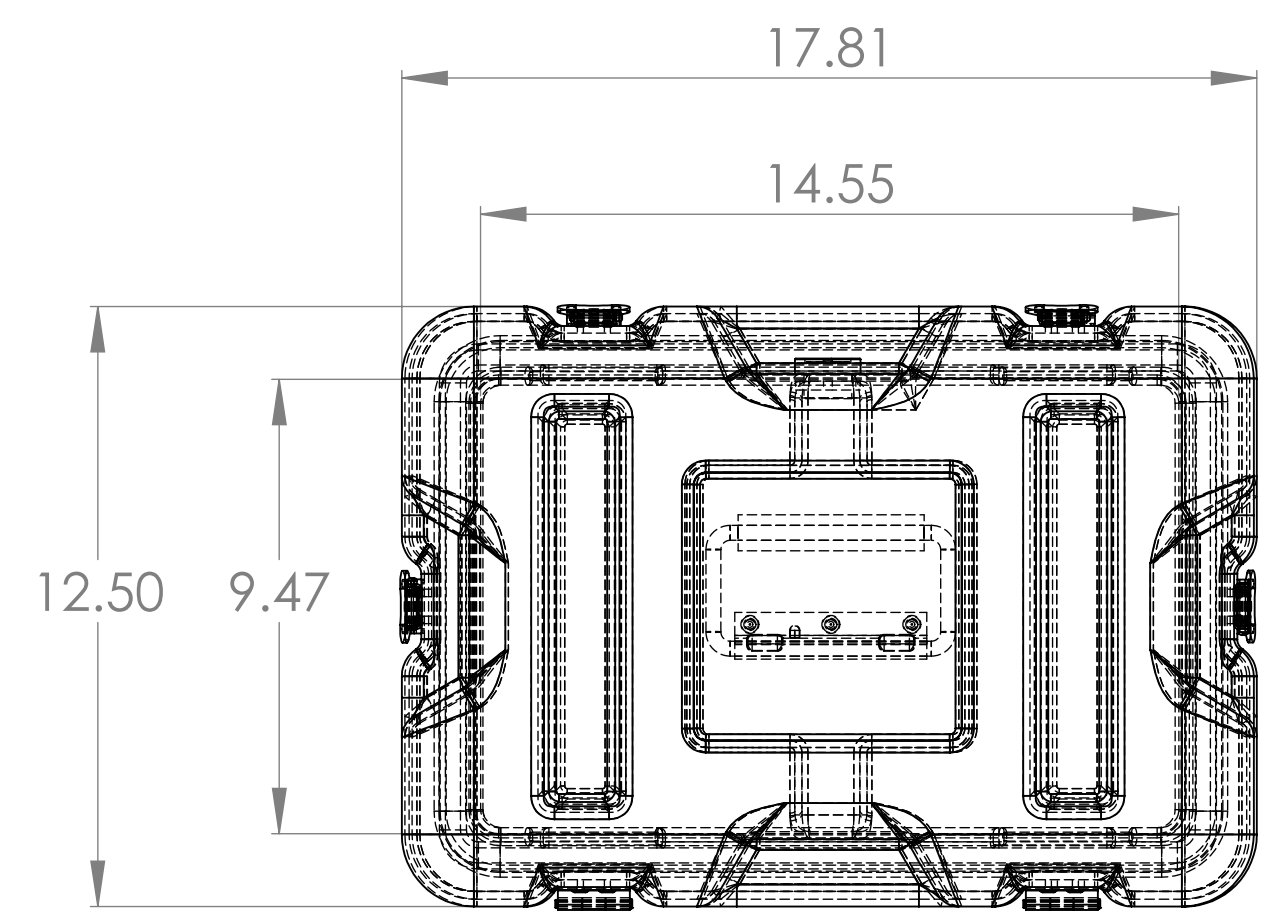
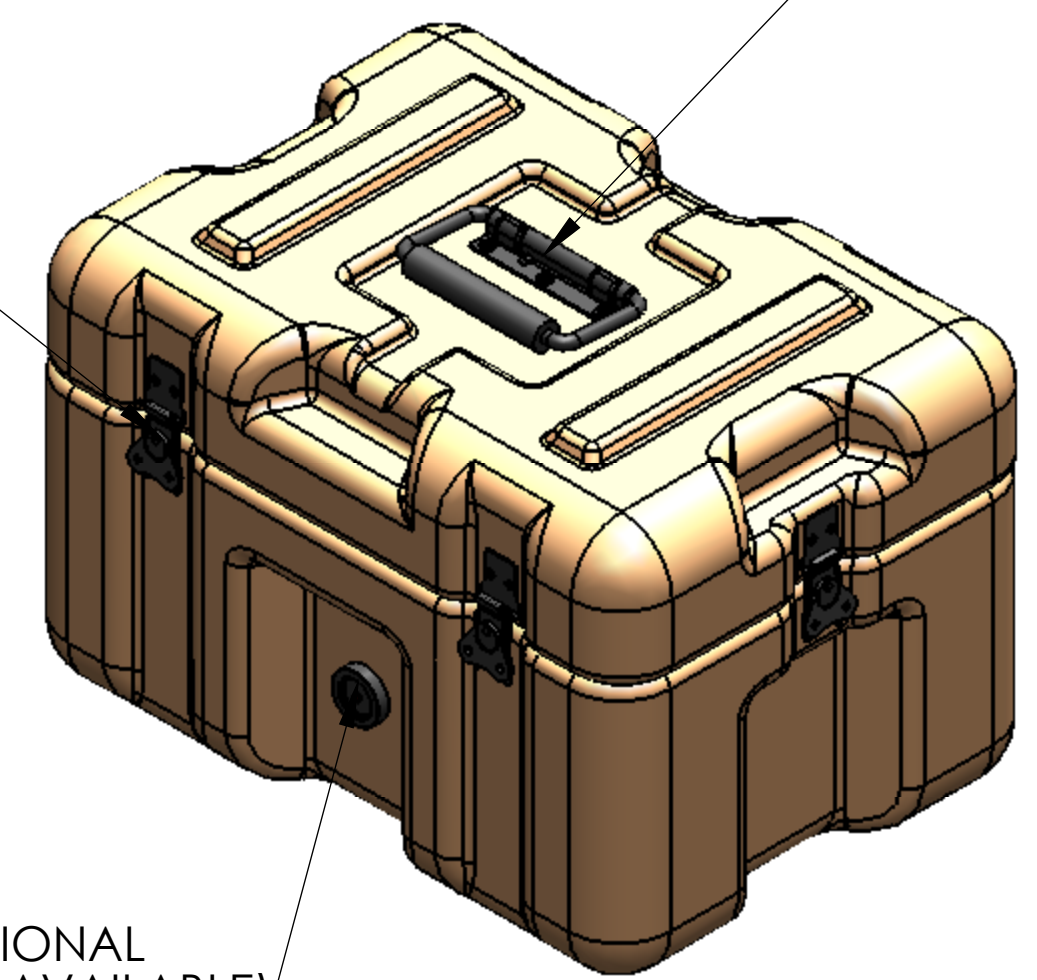


REVISIONS			
LEVEL	DESCRIPTION	APPROVED	DATE



1X STANDARD SPRING LOADED HANDLE

6X STANDARD LATCHES  
(OPTIONAL 2X HINGES/4X LATCHES FOR HINGED LID AVAILABLE)



PRESSURE RELIEF VALVE OPTIONAL  
(OPTIONAL HUMIDITY INDICATOR AVAILABLE)

MATERIALS:	DIMENSIONAL TOLERANCES			
ROTOMOLDED POLYETHYLENE	ALL DIMENSIONS IN INCHES UNLESS NOTED OTHERWISE			
	00 - 06"	0.020 + 0.005 * (DIMENSION)		
	06 - 50"	0.030 + 0.005 * (DIMENSION)		
	50 - 100"	0.030 + 0.006 * (DIMENSION)		
ONE COMPLETE SET INCLUDES:	ASSEMBLY:		DRAWN	M SCHRAPP 01/28/10
ONE (1) CASE, AS SHOWN	XXXX		CHECKED	J THOMSON
			APPROVED	J THOMSON

NAME	DATE
M SCHRAPP	01/28/10
J THOMSON	
J THOMSON	

**AMERIPACK**

TITLE:  
AMERIPACK  
AP1410-0704  
ROTOMOLD CASE

SIZE | DWG. NO. | REV  
**C** AP1410-0704

SCALE: N/A | SHEET 1 OF 1

**PROPRIETARY AND CONFIDENTIAL**  
THE INFORMATION CONTAINED IN THIS DRAWING IS THE SOLE PROPERTY OF AMERIPACK. ANY REPRODUCTION IN PART OR AS A WHOLE WITHOUT THE WRITTEN PERMISSION OF AMERIPACK IS PROHIBITED.