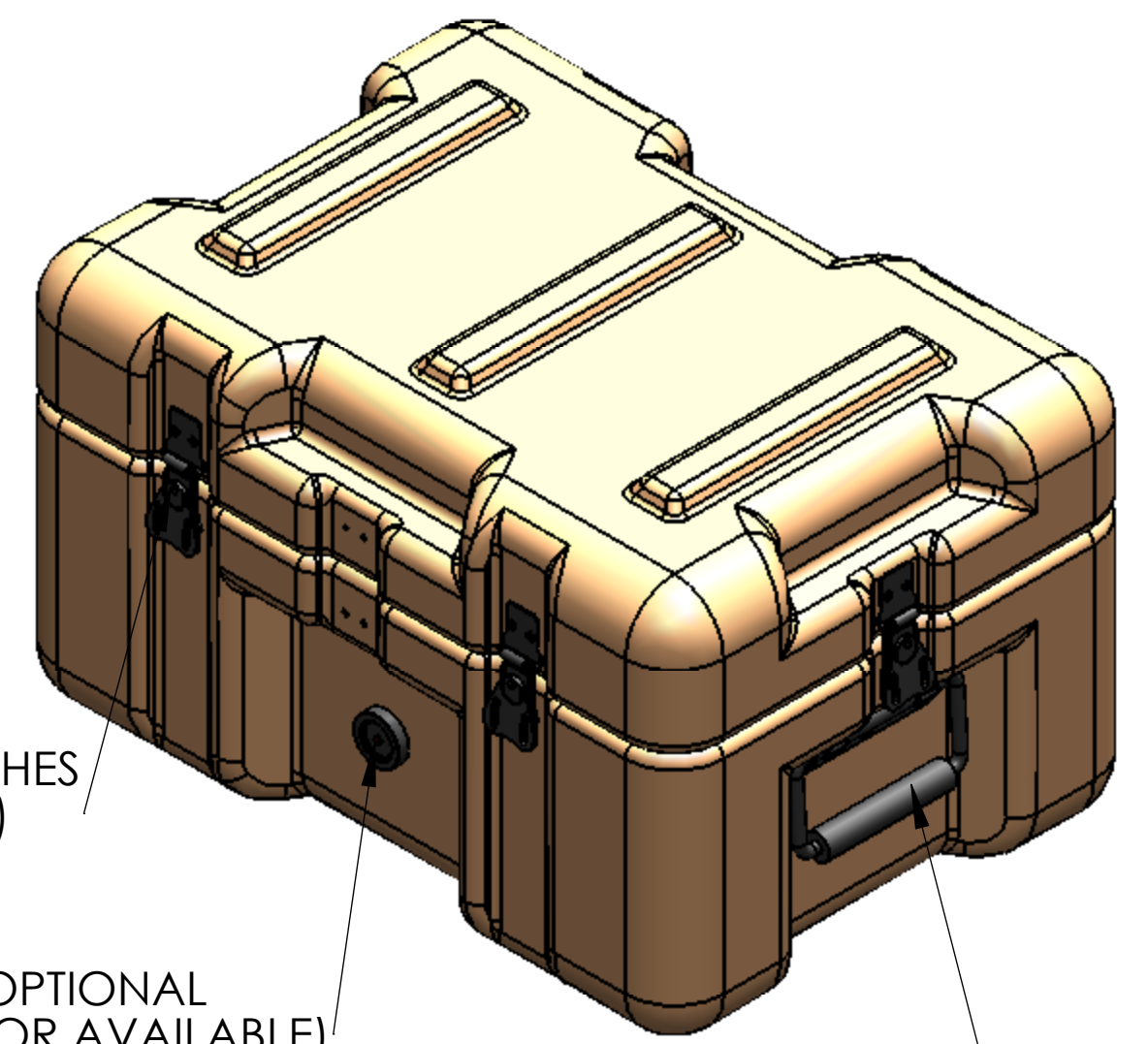
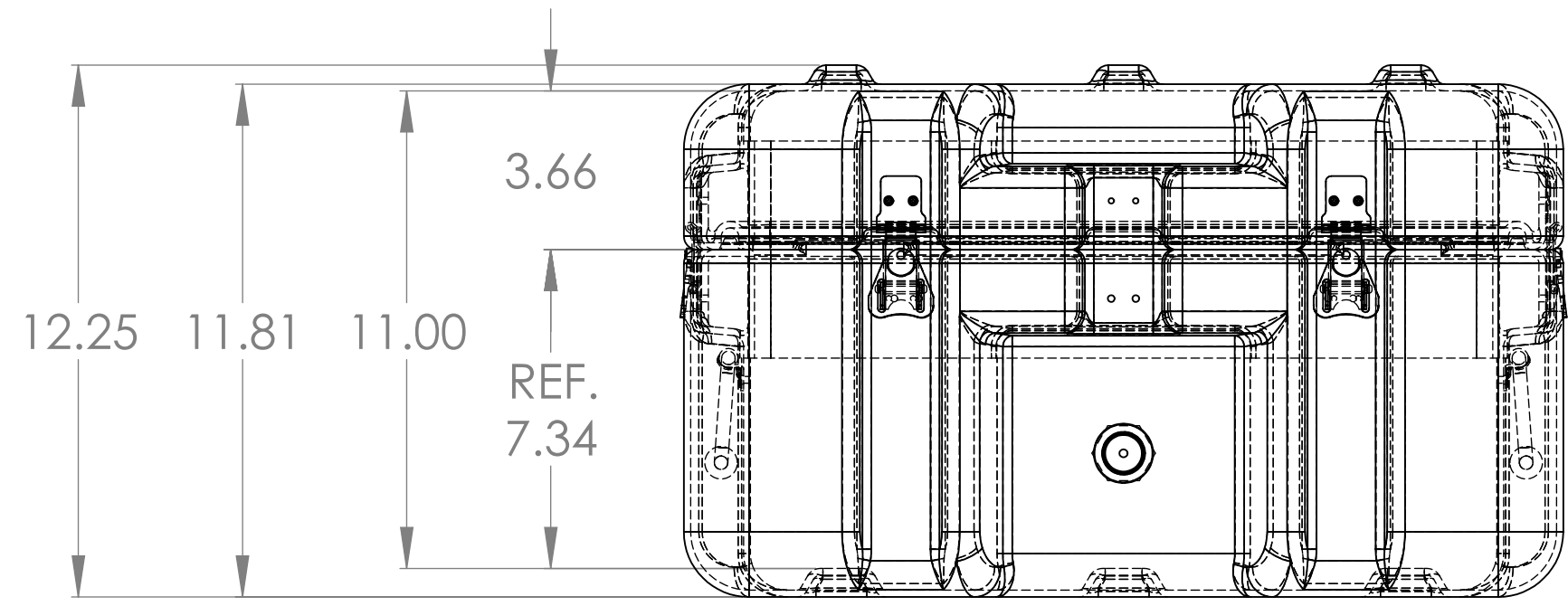
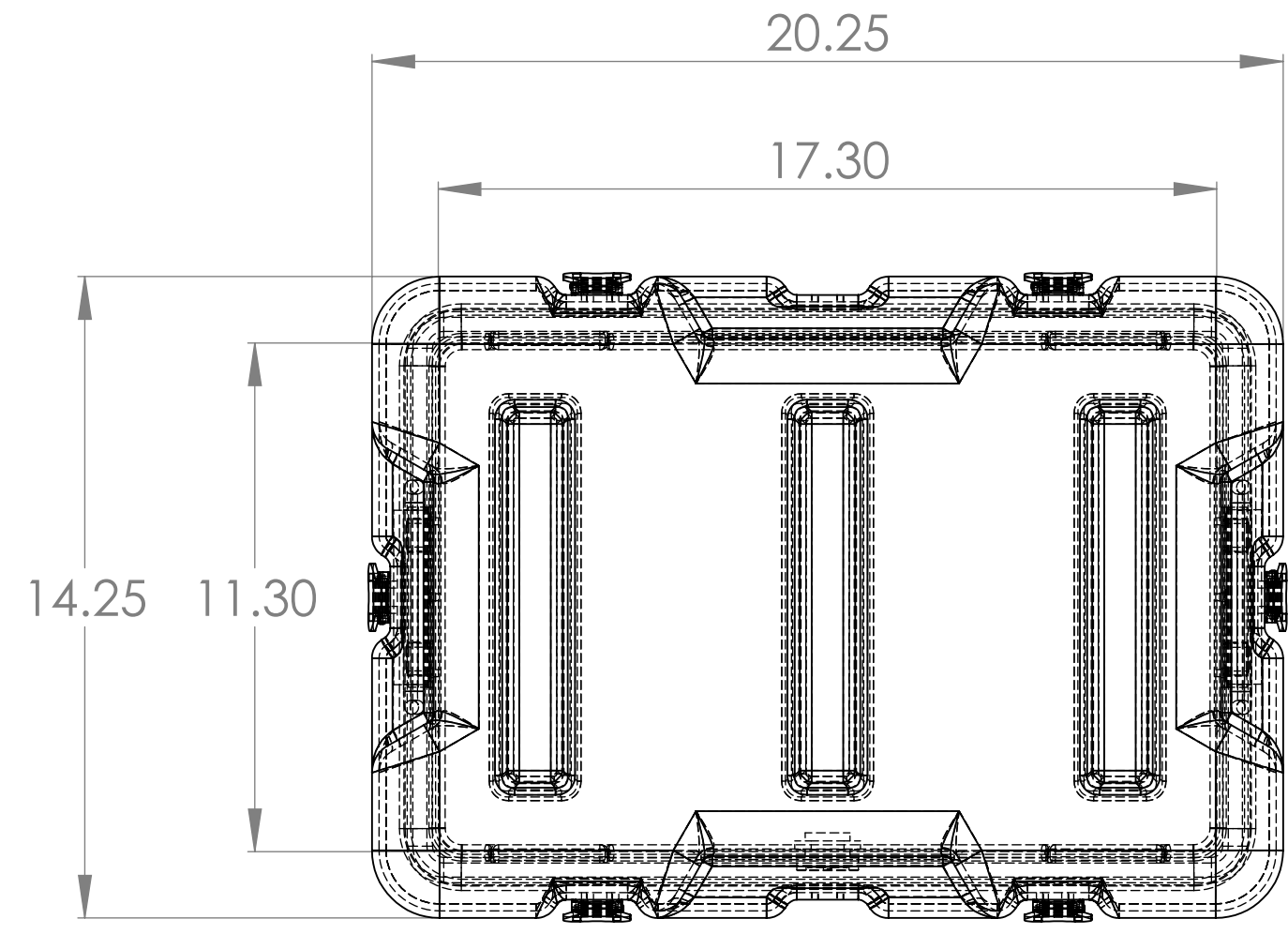



REVISIONS			
LEVEL	DESCRIPTION	APPROVED	DATE



6X STANDARD LATCHES
(OPTIONAL 2X HINGES/4X LATCHES
FOR HINGED LID AVAILABLE)

PRESSURE RELIEF VALVE OPTIONAL
(OPTIONAL HUMIDITY INDICATOR AVAILABLE)

2X STANDARD SPRING LOADED HANDLES

MATERIALS:		DIMENSIONAL TOLERANCES								
ROTOMOLDED POLYETHYLENE		ALL DIMENSIONS IN INCHES UNLESS NOTED OTHERWISE								
		00 - 06"	0.020	+ 0.005 *	(DIMENSION)					
		06 - 50"	0.030	+ 0.005 *	(DIMENSION)					
50 - 100"	0.030	+ 0.006 *	(DIMENSION)							
ONE COMPLETE SET INCLUDES:		ASSEMBLY:				DRAWN	M SCHRAPP	01/28/10	 TITLE: AMERIPACK AP1711-0804 ROTOMOLD CASE	
ONE (1) CASE, AS SHOWN		XXXX				CHECKED	J THOMSON			
						APPROVED	J THOMSON			
								SIZE DWG. NO. REV C AP1711-0804		
								SCALE: N/A SHEET 1 OF 1		

PROPRIETARY AND CONFIDENTIAL
 THE INFORMATION CONTAINED IN THIS DRAWING IS THE SOLE PROPERTY OF AMERIPACK. ANY REPRODUCTION IN PART OR AS A WHOLE WITHOUT THE WRITTEN PERMISSION OF AMERIPACK IS PROHIBITED.