

Rotationally Molded Shipping and Storage Containers by Ameripack offers top of the line convenience and portability. It has our industry leading lifetime warranty. All Roto-Molded Shipping and Storage Containers are produced to the rigorous specifications of the Airline Transportation Association and comply with the ATA 300 Category 1 specification for 100 trip applications. Roto-Molded shipping and Storage containers can be produced to be airtight and water tight. These containers also conform to the specifications of many Mil-Specifications and Federal standards.

AMERIPACK AP2013-0905



Standard Features

- Thicker Corners Reduce Container Damage
- Thinner Walls Reduce Overall Weight
- Hinged or Removable Lid
- Black EM-Coated Hardware Standard
- Case Pictured with Standard Black Hardware, Hinged Lid, and Molded from Black Polyethylene

Optional Features

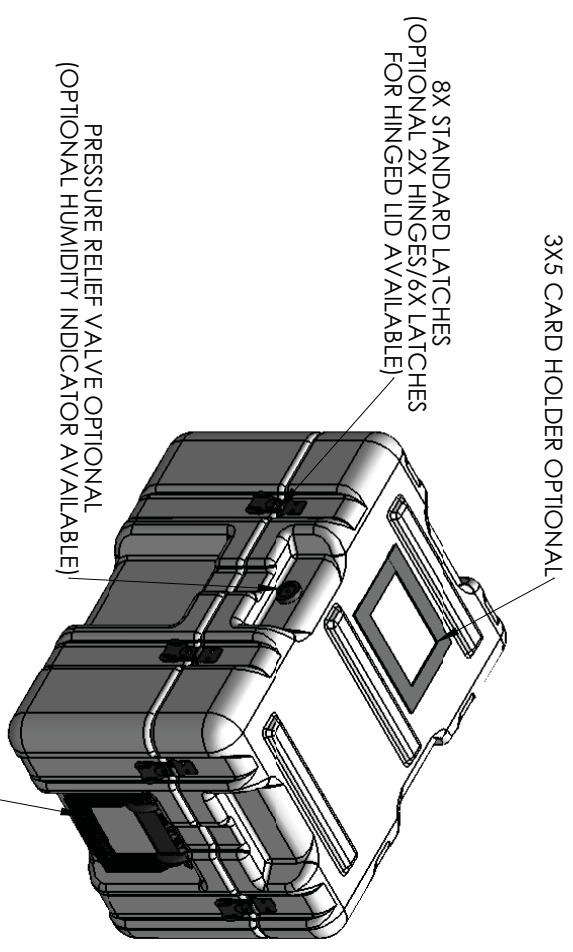
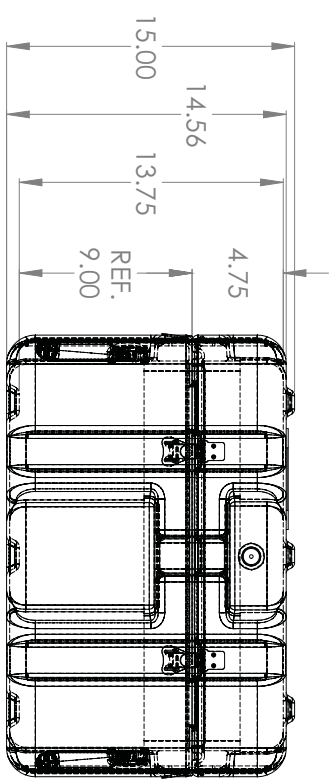
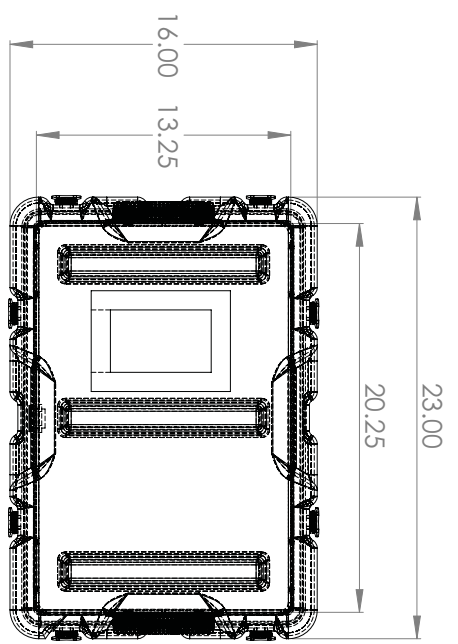
- Stainless steel hardware
- Pressure Relief Valve
- Tie down rings
- Card holder
- Custom stencil labeling
- Humidity indicator
- Many other options

Dimensions: AP2013-0905

Weight	15 lbs
Length (Inside)	20.00 in (508mm)
Width (Inside)	13.00 in (330.2mm)
Depth (Inside)	13.75 in (349.2mm)
Base Depth (Inside)	9.00 in (228.6mm)
Lid Depth (Inside)	4.75 in (120.6mm)
Length (Outside)	23.25 in (590.5mm)
Width (Outside)	16.25 in (412.7mm)
Depth (Outside)	15.25 in (387.3mm)



REVISIONS		APPROVED	DATE
LEVEL	DESCRIPTION		



MATERIALS:

ROTOMOLDED POLYETHYLENE

DIMENSIONAL TOLERANCES
ALL DIMENSIONS IN INCHES UNLESS NOTED OTHERWISE

ONE COMPLETE SET INCLUDES:

ASSEMBLY:

00 - 06"	0.125"
06 - 12"	0.250"
12 - 50"	0.375"

ONE (1) CASE, AS SHOWN

XXXX

DRAWN M SCHRAPP 01/28/10

CHECKED J THOMSON

APPROVED J THOMSON



TITLE: AMERIPACK AP2013-0905 ROTOMOLD CASE

SCALE: N/A
SHEET 1 OF 1

PROPRIETARY AND CONFIDENTIAL
THE INFORMATION CONTAINED IN THIS DRAWING IS THE SOLE PROPERTY OF AMERIPACK AND IS TO BE USED ONLY IN CONNECTION WITH THE PART OR AS A WHOLE WITHOUT THE WRITTEN PERMISSION OF AMERIPACK IS FORBIDDEN.