

Rotationally Molded Shipping and Storage Containers by Ameripack offers top of the line convenience and portability. It has our industry leading lifetime warranty. All Roto-Molded Shipping and Storage Containers are produced to the rigorous specifications of the Airline Transportation Association and comply with the ATA 300 Category 1 specification for 100 trip applications. Roto-Molded shipping and Storage containers can be produced to be airtight and water tight. These containers also conform to the specifications of many Mil-Specifications and Federal standards.

AMERIPACK AP2420-1004WH



Standard Features

- Thicker Corners Reduce Container Damage
- Thinner Walls Reduce Overall Weight
- Hinged or Removable Lid
- Black EM-Coated Hardware Standard
- Case Pictured with Stainless Steel Hardware, Hinged Lid, Edge Casters, 7" Bail Handle, and Molded from OD Green Polyethylene

Optional Features

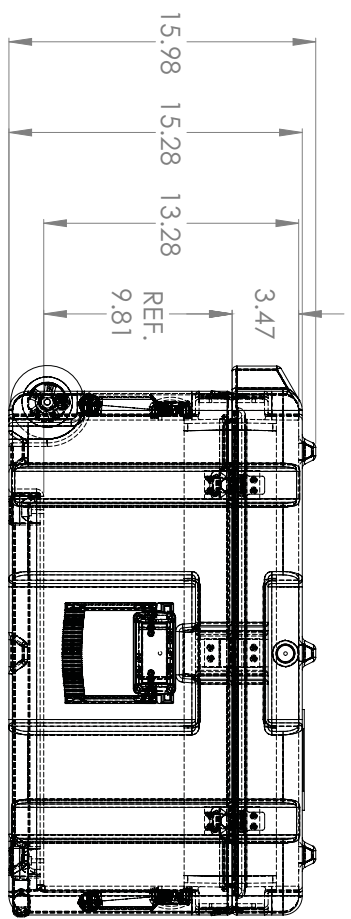
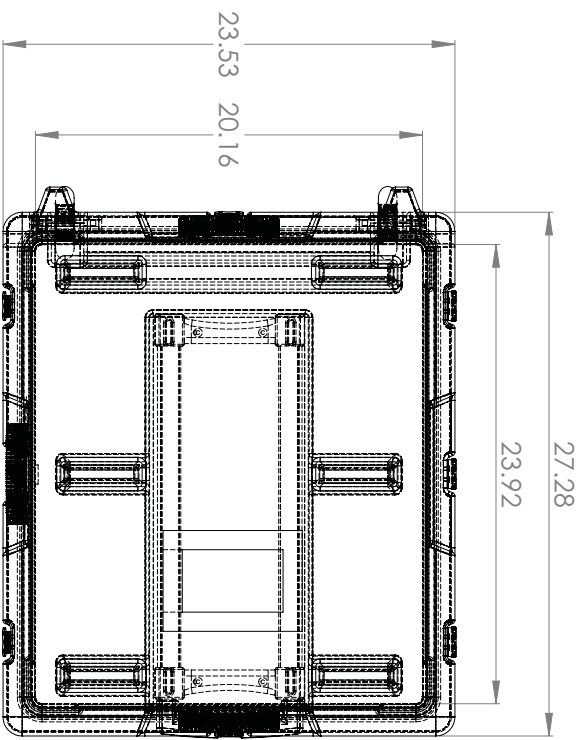
- Stainless steel hardware
- Pressure Relief Valve
- Tie down rings
- Card holder
- Custom stencil labeling
- Humidity indicator
- Many other options

Dimensions: AP2420-1004WH

Weight	30 lbs
Length (Inside)	24.00 in (609.6mm)
Width (Inside)	20.00 in (508mm)
Depth (Inside)	13.50 in (342.9mm)
Base Depth (Inside)	10.00 in (254mm)
Lid Depth (Inside)	3.50 in (88.9mm)
Length (Outside)	27.00 in (685.8mm)
Width (Outside)	23.00 in (584.2mm)
Depth (Outside)	15.00 in (381mm)



REVISIONS		APPROVED	DATE
LEVEL	DESCRIPTION		



MATERIALS:

ROTOMOLDED POLYETHYLENE

DIMENSIONAL TOLERANCES
ALL DIMENSIONS IN INCHES UNLESS NOTED OTHERWISE

ONE COMPLETE SET INCLUDES:

ASSEMBLY:

- 00 - 06" 0.125"
- 06 - 12" 0.250"
- 12 - 50" 0.375"

ONE (1) CASE, AS SHOWN

XXXX

DRAWN	NAME	DATE
M SCHRAPP		02/08/10
CHECKED	J THOMSON	
APPROVED	J THOMSON	



TITLE:
AMERIPACK
AP2420-1004WH
ROTOMOLD CASE

SPE. DRWG. NO. C AP2420-1004WH
SCALE: N/A
REV SHEET 1 OF 2

PROPRIETARY AND CONFIDENTIAL
THE INFORMATION CONTAINED IN THIS DRAWING IS THE SOLE PROPERTY OF AMERIPACK AND IS NOT TO BE REPRODUCED OR TRANSMITTED IN ANY FORM OR BY ANY MEANS, ELECTRONIC OR MECHANICAL, WITHOUT THE WRITTEN PERMISSION OF AMERIPACK IS FORBIDDEN.