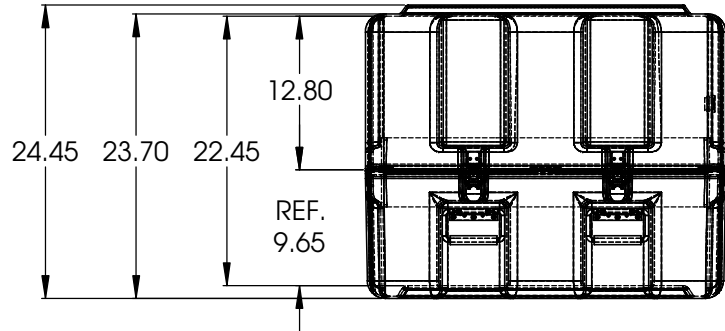
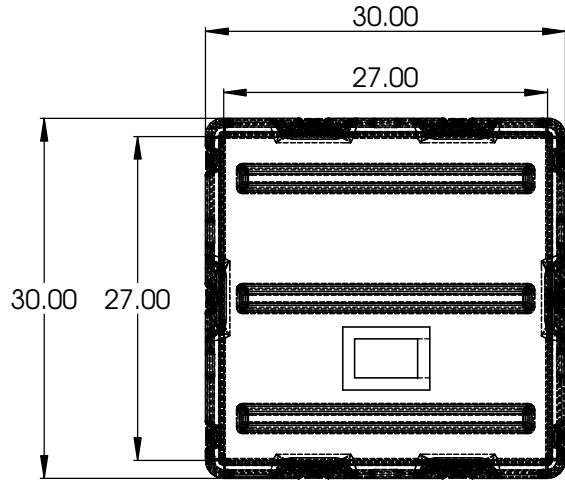


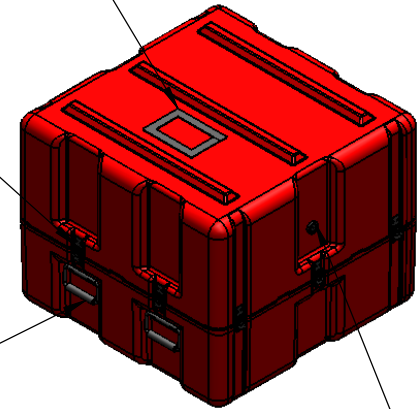
REVISIONS			
LEVEL	DESCRIPTION	APPROVED	DATE



3X5 CARD HOLDER OPTIONAL

10X STANDARD LATCHES

4X STANDARD SPRING LOADED HANDLES



PRESSURE RELIEF VALVE OPTIONAL
(OPTIONAL HUMIDITY INDICATOR AVAILABLE)

MATERIALS:	DIMENSIONAL TOLERANCES		NAME	DATE
ROTOMOLDED POLYETHYLENE	ALL DIMENSIONS IN INCHES UNLESS NOTED OTHERWISE		M SCHRAPP	02/18/10
	00 - 06"	0.020 + 0.005 * (DIMENSION)		
	06 - 50"	0.030 + 0.005 * (DIMENSION)		
	50 - 100"	0.030 + 0.006 * (DIMENSION)		
ONE COMPLETE SET INCLUDES:	ASSEMBLY:	DRAWN		
ONE (1) CASE, AS SHOWN	XXXX	CHECKED	J THOMSON	
		APPROVED	J THOMSON	



TITLE:		
AMERIPACK AP2727-0914 ROTOMOLD CASE		
SIZE	DWG. NO.	REV
C	AP2727-0914	
SCALE: N/A	SHEET 1 OF 1	

PROPRIETARY AND CONFIDENTIAL
THE INFORMATION CONTAINED IN THIS DRAWING IS THE SOLE PROPERTY OF AMERIPACK. ANY REPRODUCTION IN PART OR AS A WHOLE WITHOUT THE WRITTEN PERMISSION OF AMERIPACK IS PROHIBITED.