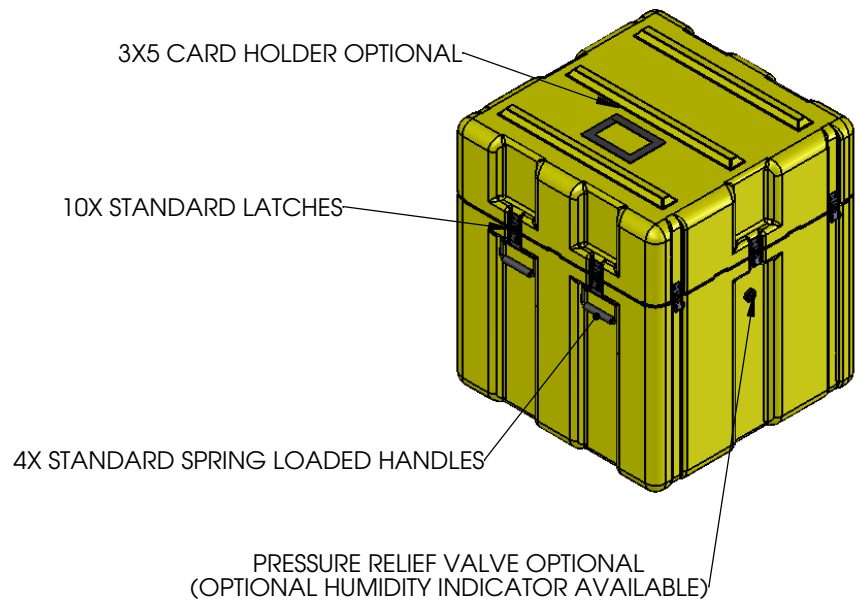
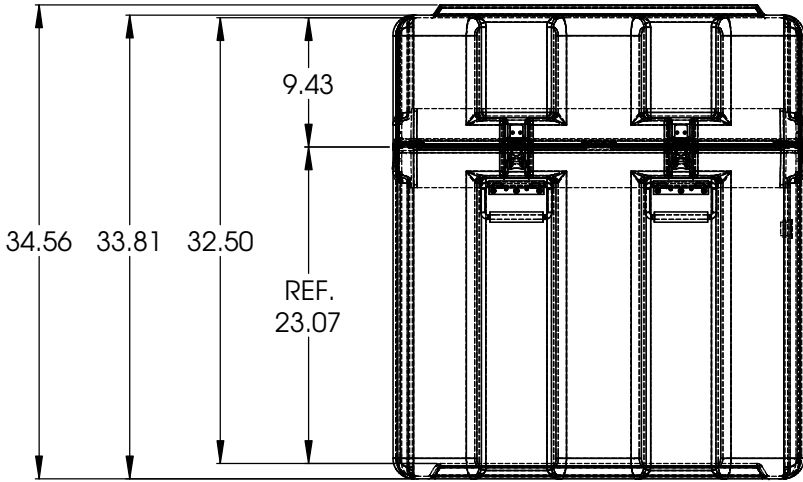
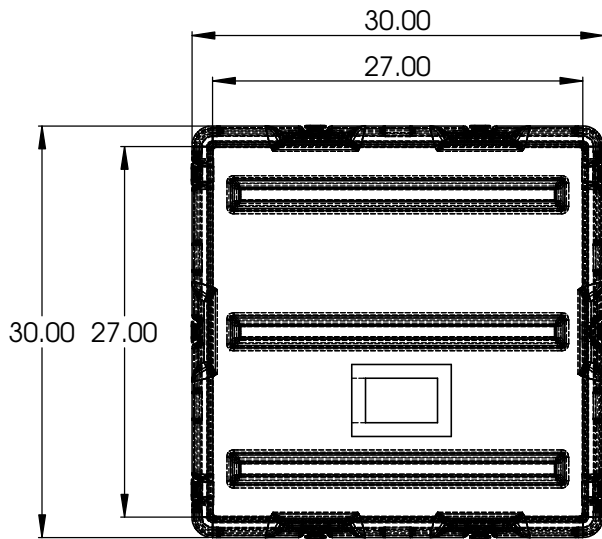


REVISIONS			
LEVEL	DESCRIPTION	APPROVED	DATE



MATERIALS:	DIMENSIONAL TOLERANCES		DRAWN	M SCHRAPP	DATE	02/18/10	
ROTOMOLDED POLYETHYLENE	ALL DIMENSIONS IN INCHES UNLESS NOTED OTHERWISE						
ONE COMPLETE SET INCLUDES:	ASSEMBLY:	00 - 06" 0.020 + 0.005 * (DIMENSION)	CHECKED	J THOMSON			
	ONE (1) CASE, AS SHOWN	XXXX					06 - 50" 0.030 + 0.005 * (DIMENSION)
							50 - 100" 0.030 + 0.006 * (DIMENSION)

NAME	DATE
M SCHRAPP	02/18/10
J THOMSON	
J THOMSON	

AMERIPACK

TITLE:
AMERIPACK
AP2727-2310
ROTOMOLD CASE

SCALE: N/A

SHEET 1 OF 1

PROPRIETARY AND CONFIDENTIAL
THE INFORMATION CONTAINED IN THIS DRAWING IS THE SOLE PROPERTY OF AMERIPACK. ANY REPRODUCTION IN PART OR AS A WHOLE WITHOUT THE WRITTEN PERMISSION OF AMERIPACK IS PROHIBITED.