

Rotationally Molded Shipping and Storage Containers by Ameripack offers top of the line convenience and portability. It has our industry leading lifetime warranty. All Roto-Molded Shipping and Storage Containers are produced to the rigorous specifications of the Airline Transportation Association and comply with the ATA 300 Category 1 specification for 100 trip applications. Roto-Molded shipping and Storage containers can be produced to be airtight and water tight. These containers also conform to the specifications of many Mil-Specifications and Federal standards.

AMERIPACK AP2915-0906



Standard Features

- Thicker Corners Reduce Container Damage
- Hinged or Removable Lid
- Black EM-Coated Hardware Standard
- Available with Stainless Steel Hardware, PRV Valves, Humidity Indicators, Card Holders, Molded In Logos and Labels
- Case Pictured with Standard Black Hardware, Hinged Lid, and Molded from White Polyethylene

Optional Features

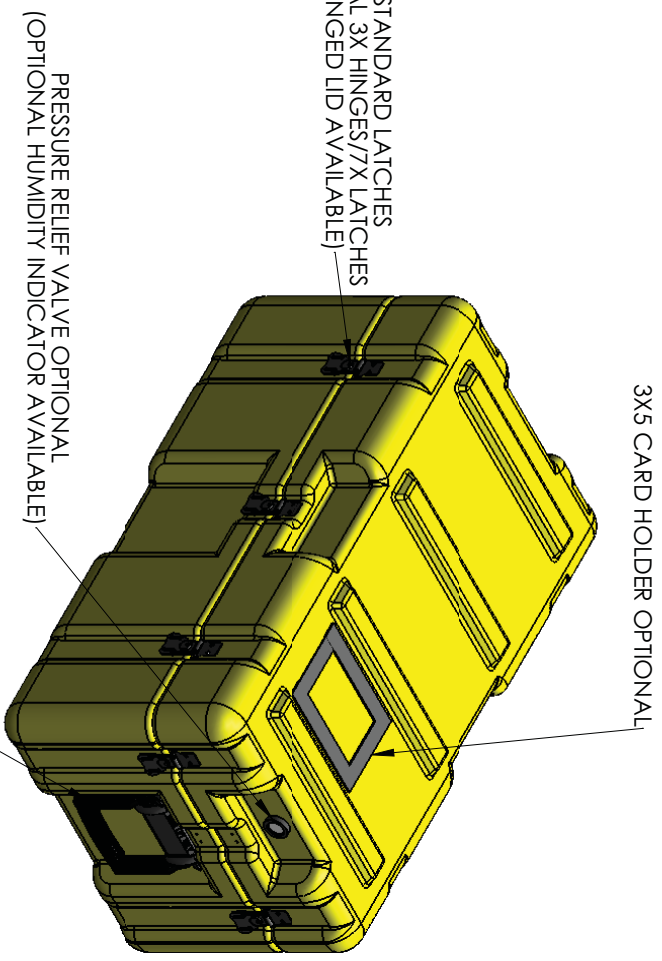
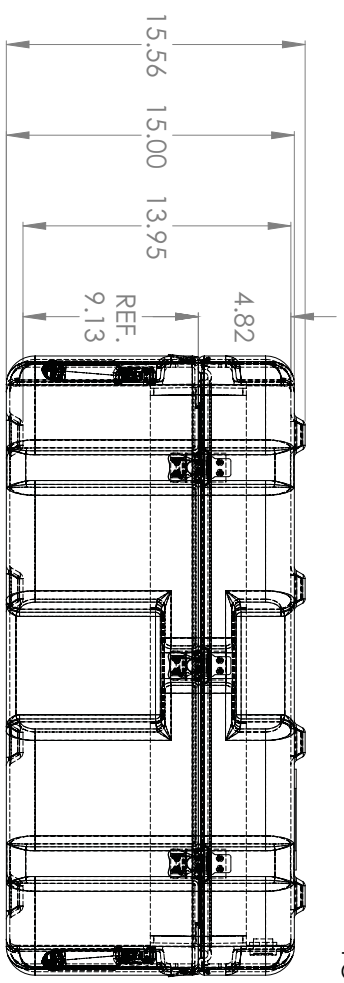
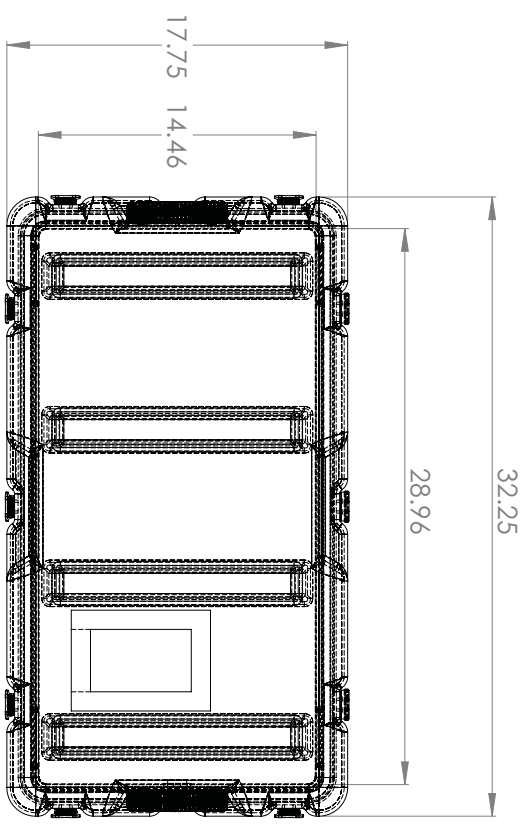
- Stainless steel hardware
- Pressure Relief Valve
- Tie down rings
- Card holder
- Custom stencil labeling
- Humidity indicator
- Many other options

Dimensions: AP2915-0906

Weight	21 lbs
Length (Inside)	29.00 in (736.6mm)
Width (Inside)	14.50 in (368.3mm)
Depth (Inside)	14.00 in (355.6mm)
Base Depth (Inside)	9.25 in (234.9mm)
Lid Depth (Inside)	4.75 in (120.6mm)
Length (Outside)	32.25 in (819.1mm)
Width (Outside)	17.75 in (450.8mm)
Depth (Outside)	15.50 in (393.7mm)



REVISIONS		APPROVED	DATE
LEVEL	DESCRIPTION		



2X STANDARD PLASTIC HANDLES
(OPTIONAL SPRING LOADED HANDLES AVAILABLE)

PRESSURE RELIEF VALVE OPTIONAL
(OPTIONAL HUMIDITY INDICATOR AVAILABLE)

10X STANDARD LATCHES
(OPTIONAL 3X HINGES/7X LATCHES
FOR HINGED LID AVAILABLE)

3X5 CARD HOLDER OPTIONAL

MATERIALS:
 ROTOMOLDED POLYETHYLENE

ONE COMPLETE SET INCLUDES:

ONE (1) CASE, AS SHOWN

DIMENSIONAL TOLERANCES
 ALL DIMENSIONS IN INCHES UNLESS NOTED OTHERWISE

00 - 06" 0.125"
 06 - 12" 0.250"
 12 - 50" 0.375"

ASSEMBLY:

XXXX

NAME DATE

DRAWN M SCHRAPP 02/19/10

CHECKED J THOMSON

APPROVED J THOMSON



TITLE:

AMERIPACK
 AP2915-0906
 ROTOMOLD CASE

SCALE: N/A
 SHEET 1 OF 1

PROPRIETARY AND CONFIDENTIAL
 THE INFORMATION CONTAINED IN THIS DRAWING IS THE SOLE PROPERTY OF AMERIPACK. IT IS TO BE USED ONLY IN CONNECTION WITH THE PART OR AS A WHOLE WITHOUT THE WRITTEN PERMISSION OF AMERIPACK IS FORBIDDEN.