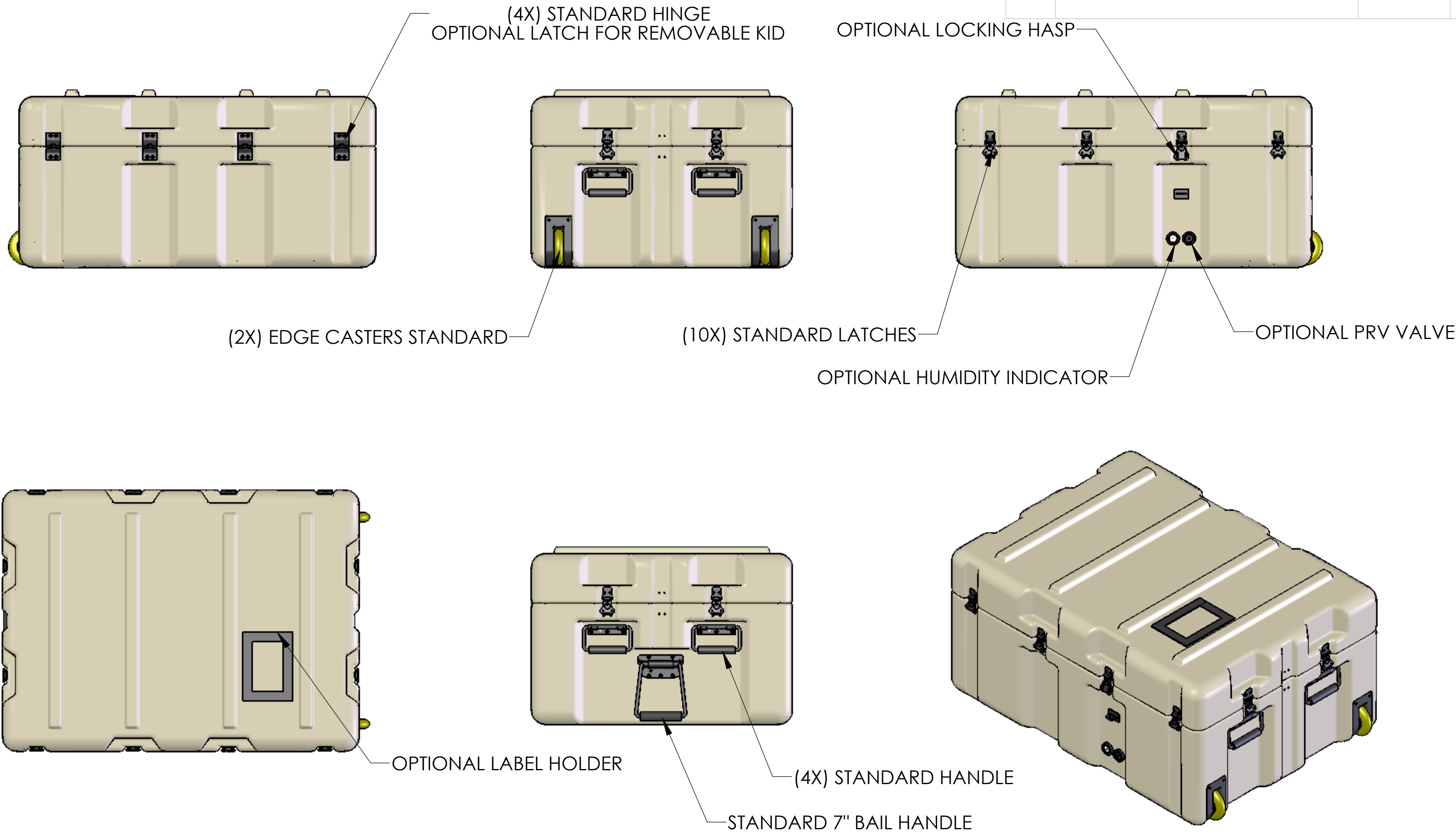


REVISIONS			
LEVEL	DESCRIPTION	APPROVED	DATE



MATERIALS:	DIMENSIONAL TOLERANCES	
ROTOMOLDED POLYETHYLENE	ALL DIMENSIONS IN INCHES UNLESS NOTED OTHERWISE	
	00 - 06"	0.020 + 0.005 * (DIMENSION)
	06 - 50"	0.030 + 0.005 * (DIMENSION)
	50 - 100"	0.030 + 0.006 * (DIMENSION)
ONE COMPLETE SET INCLUDES:	ASSEMBLY:	
XXXX	XXXX	

NAME	DATE
DRAWN J THOMSON	08/17/07
CHECKED L GORDON	
APPROVED J THOMSON	

AMERIPACK

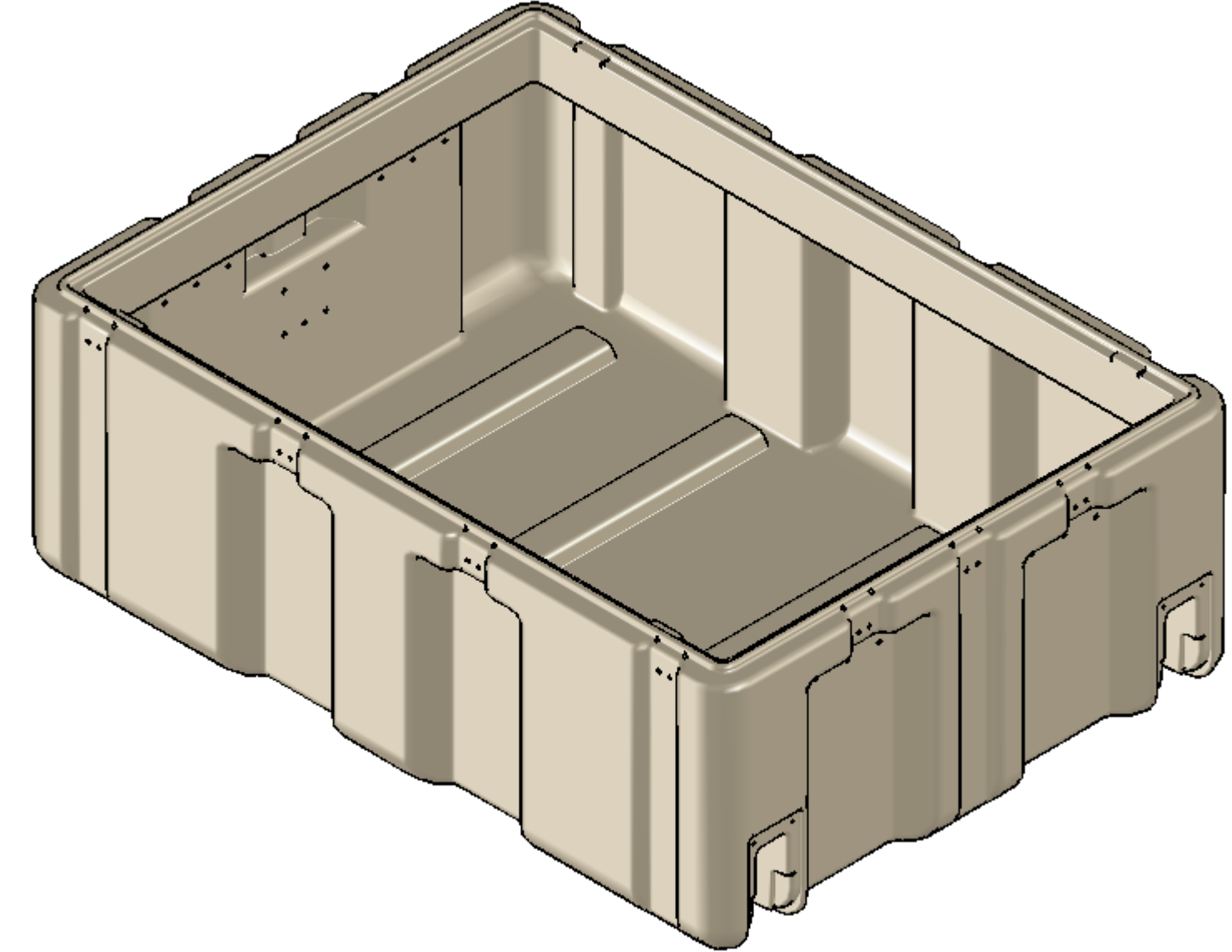
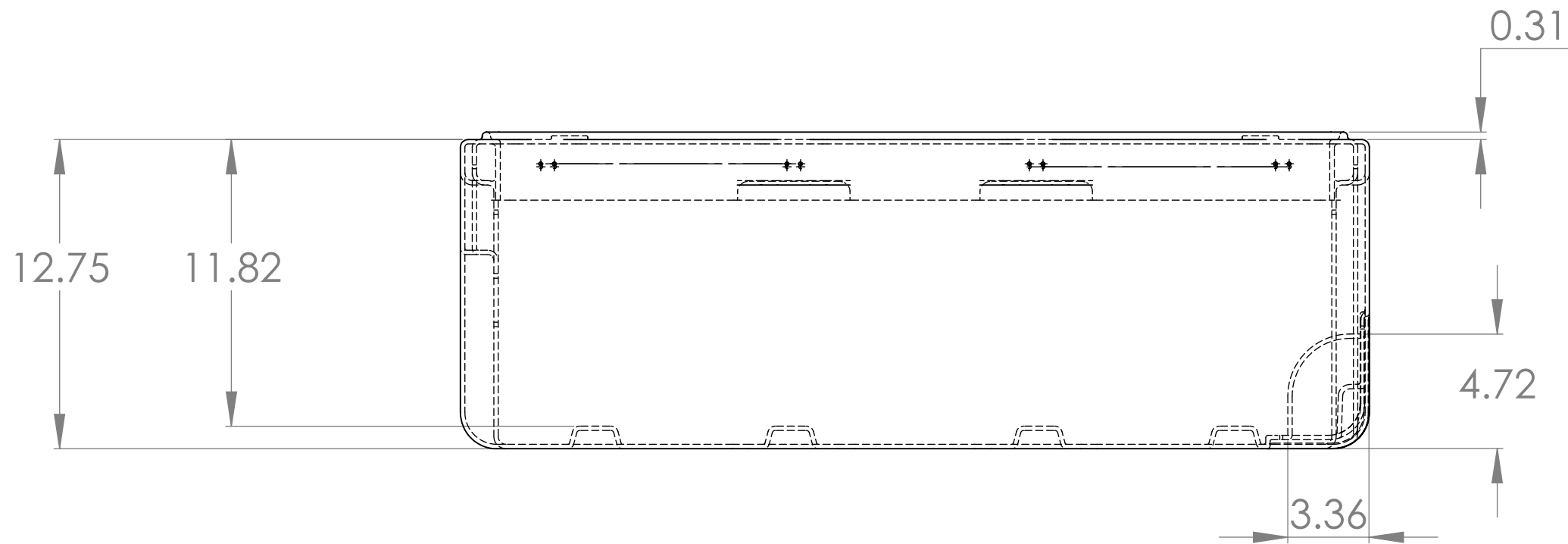
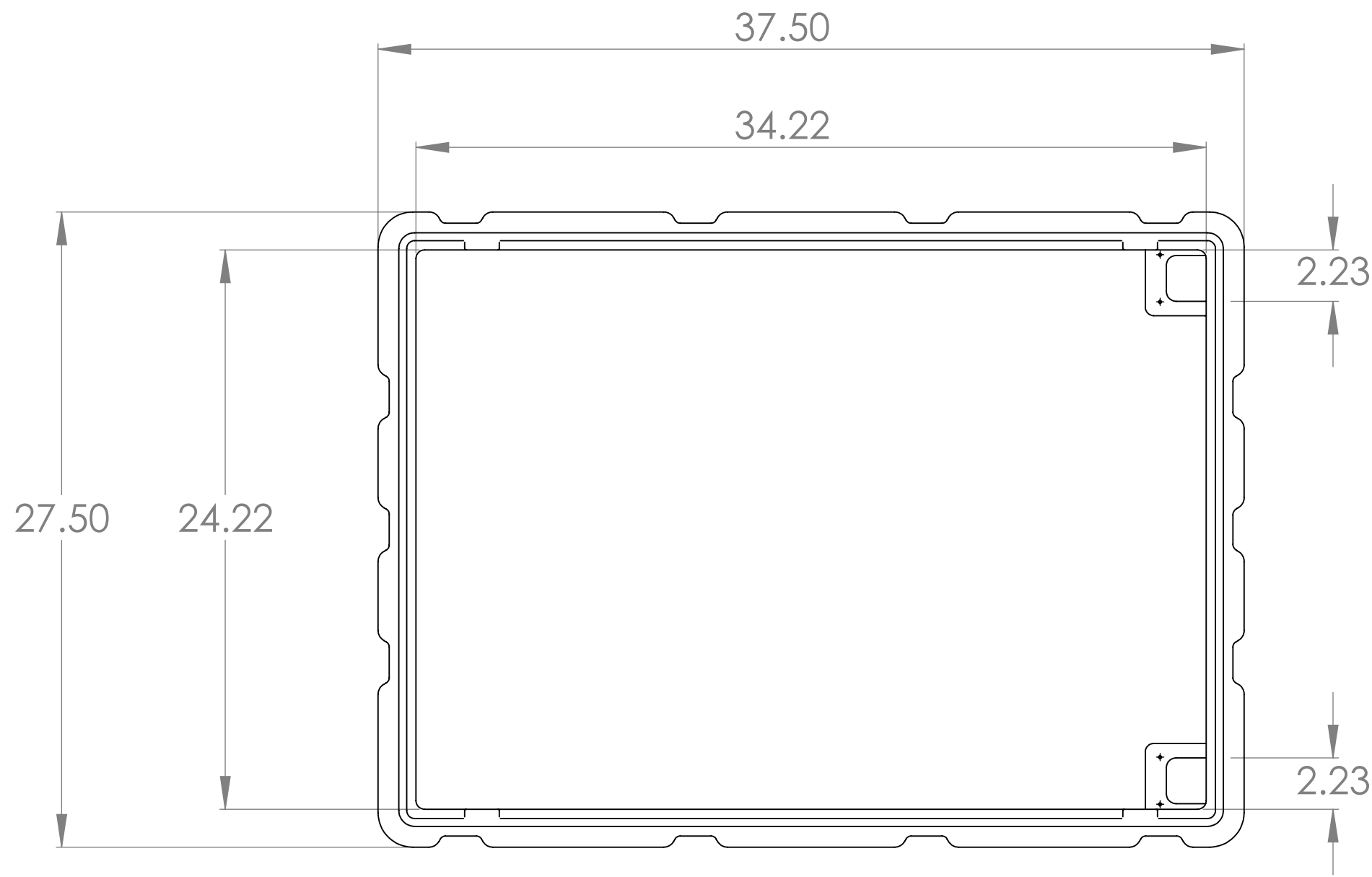
TITLE:
AP3424-1205WH
ASSEMBLY

SIZE | DWG. NO. | REV
AP3424-1205WH

SCALE: N/A | SHEET 1 OF 3

PROPRIETARY AND CONFIDENTIAL
THE INFORMATION CONTAINED IN THIS DRAWING IS THE SOLE PROPERTY OF AMERIPACK. ANY REPRODUCTION IN PART OR AS A WHOLE WITHOUT THE WRITTEN PERMISSION OF AMERIPACK IS PROHIBITED.

REVISIONS			
LEVEL	DESCRIPTION	APPROVED	DATE



MATERIALS:	DIMENSIONAL TOLERANCES	
	ALL DIMENSIONS IN INCHES UNLESS NOTED OTHERWISE	
SEE SHEET 1	00 - 06"	0.020 + 0.005 * (DIMENSION)
	06 - 50"	0.030 + 0.005 * (DIMENSION)
	50 - 100"	0.030 + 0.006 * (DIMENSION)
ONE COMPLETE SET INCLUDES:	ASSEMBLY:	
SEE SHEET 1	SEE SHEET 1	

NAME	DATE
DRAWN J THOMSON	08/17/07
CHECKED L GORDON	
APPROVED J THOMSON	

AMERIPACK

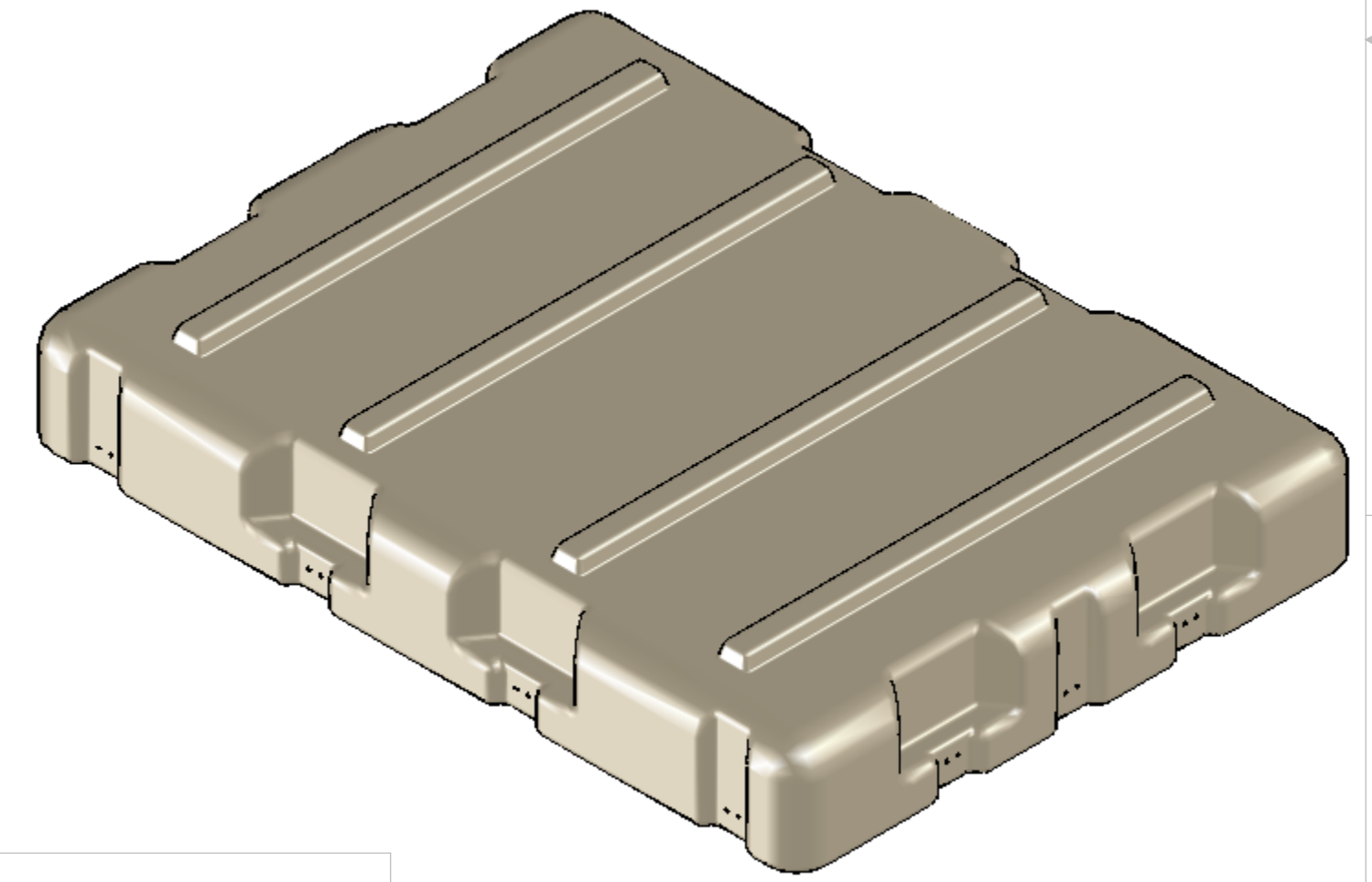
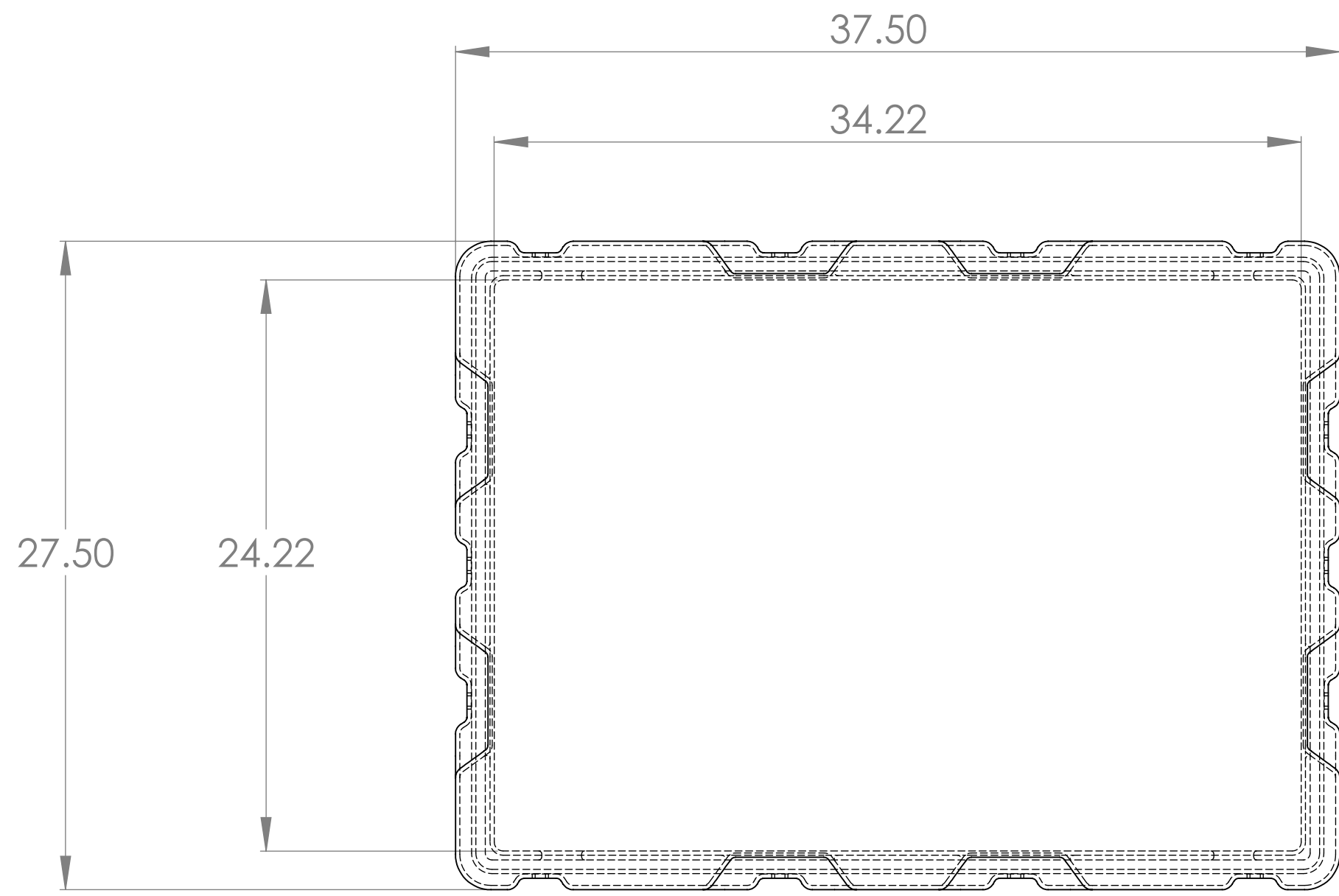
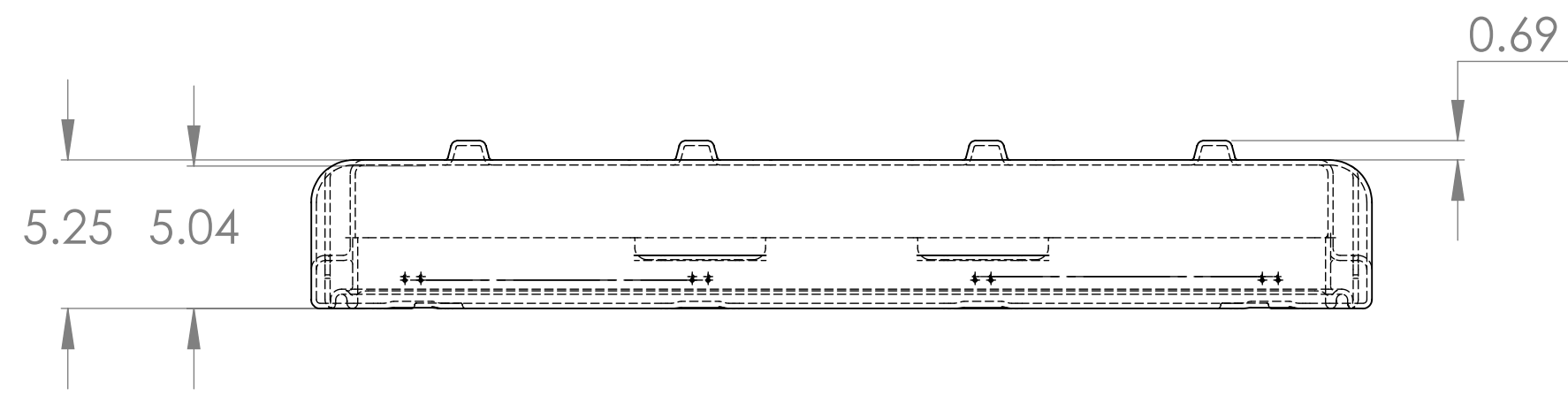
TITLE:
AP3424-1205WH
BASE SHELL

SIZE | DWG. NO. | REV
AP3424-1205WH

SCALE: N/A | SHEET 2 OF 3

PROPRIETARY AND CONFIDENTIAL
THE INFORMATION CONTAINED IN THIS DRAWING IS THE SOLE PROPERTY OF AMERIPACK. ANY REPRODUCTION IN PART OR AS A WHOLE WITHOUT THE WRITTEN PERMISSION OF AMERIPACK IS PROHIBITED.

REVISIONS			
LEVEL	DESCRIPTION	APPROVED	DATE



MATERIALS:	DIMENSIONAL TOLERANCES		
SEE SHEET 1	ALL DIMENSIONS IN INCHES UNLESS NOTED OTHERWISE		
	00 - 06"	0.020 + 0.005 *	(DIMENSION)
	06 - 50"	0.030 + 0.005 *	(DIMENSION)
	50 - 100"	0.030 + 0.006 *	(DIMENSION)
ONE COMPLETE SET INCLUDES:	ASSEMBLY:	DRAWN	J THOMSON
SEE SHEET 1	SEE SHEET 1	CHECKED	L GORDON
		APPROVED	J THOMSON

NAME	DATE
J THOMSON	08/17/07
L GORDON	
J THOMSON	

AMERIPACK

TITLE:
AP3424-1205WH
LID SHELL

SIZE | DWG. NO. | REV
AP3424-1205WH

SCALE: N/A | SHEET 3 OF 3

PROPRIETARY AND CONFIDENTIAL
THE INFORMATION CONTAINED IN THIS DRAWING IS THE SOLE PROPERTY OF AMERIPACK. ANY REPRODUCTION IN PART OR AS A WHOLE WITHOUT THE WRITTEN PERMISSION OF AMERIPACK IS PROHIBITED.