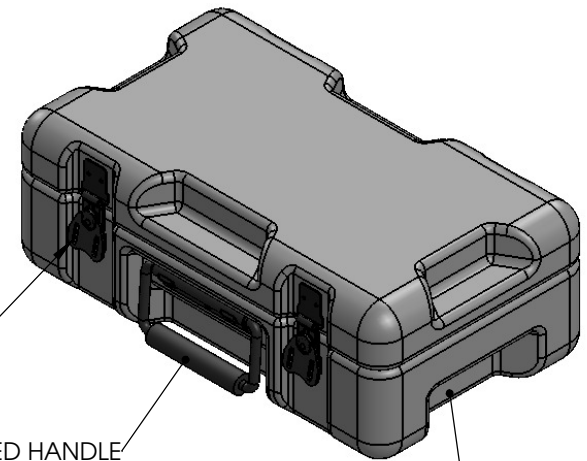
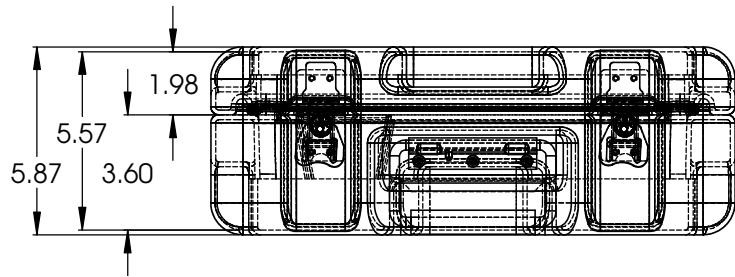
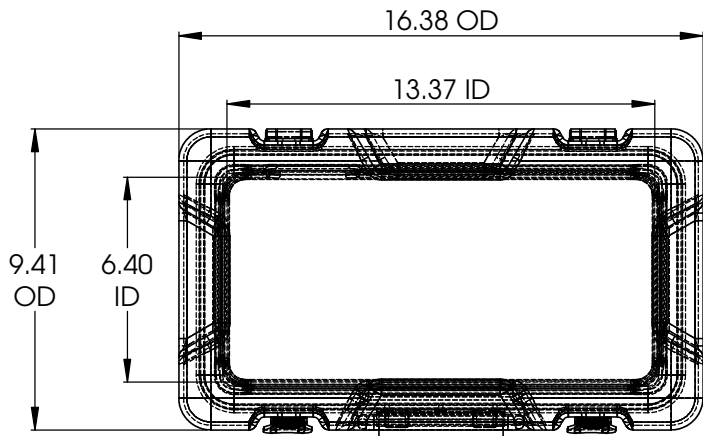


REVISIONS			
LEVEL	DESCRIPTION	APPROVED	DATE



(4X) STANDARD LATCHES
(OPTIONAL 2X HINGES/2X LATCHES
FOR HINGED LID AVAILABLE)

(1X) STANDARD SPRING LOADED HANDLE

PRESSURE RELIEF VALVE OPTIONAL
(OPTIONAL HUMIDITY INDICATOR AVAILABLE)

MATERIALS:	DIMENSIONAL TOLERANCES		NAME	DATE
ROTOMOLDED POLYETHYLENE	ALL DIMENSIONS IN INCHES UNLESS NOTED OTHERWISE			
	00 - 06"	0.020 + 0.005 * (DIMENSION)		
	06 - 50"	0.030 + 0.005 * (DIMENSION)		
	50 - 100"	0.030 + 0.006 * (DIMENSION)		
ONE COMPLETE SET INCLUDES:	ASSEMBLY:	DRAWN	M SCHRAPP	10/16/13
ONE (1) CASE, AS SHOWN	XXXX	CHECKED	J THOMSON	
		APPROVED	J THOMSON	



TITLE:
AMERIPACK
AP1306-0302
ROTOMOLD CASE

SIZE DWG. NO. REV
CAP1306-0302

SCALE: N/A SHEET 1 OF 1

PROPRIETARY AND CONFIDENTIAL
THE INFORMATION CONTAINED IN THIS DRAWING IS THE SOLE PROPERTY OF AMERIPACK. ANY REPRODUCTION IN PART OR AS A WHOLE WITHOUT THE WRITTEN PERMISSION OF AMERIPACK IS PROHIBITED.