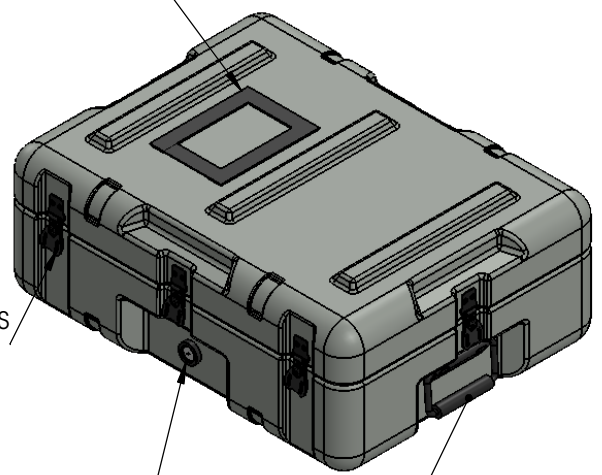
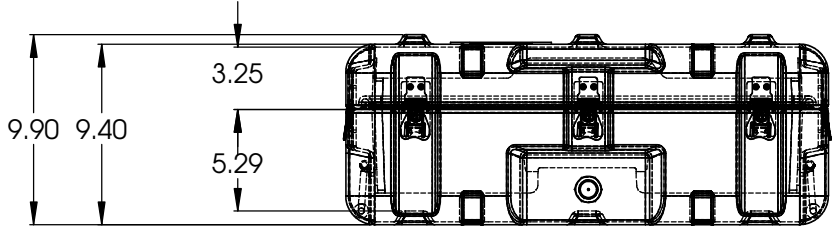
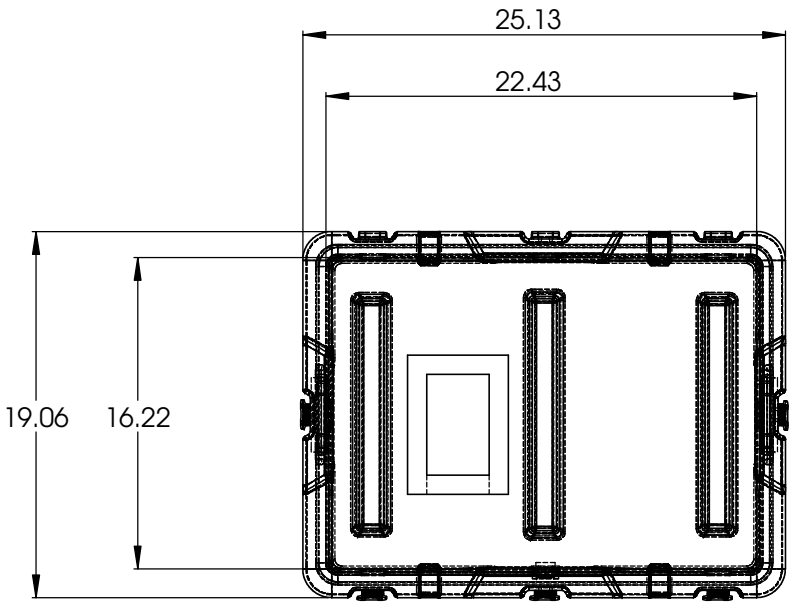


REVISIONS			
LEVEL	DESCRIPTION	APPROVED	DATE



3X5 CARD HOLDER OPTIONAL

8X STANDARD LATCHES
(OPTIONAL 3X HINGES/5X LATCHES FOR HINGED LID AVAILABLE)

PRESSURE RELIEF VALVE OPTIONAL
(OPTIONAL HUMIDITY INDICATOR AVAILABLE)

2X STANDARD 3 HOLE STEEL HANDLES

MATERIALS:	DIMENSIONAL TOLERANCES			
ROTOMOLDED POLYETHYLENE	ALL DIMENSIONS IN INCHES UNLESS NOTED OTHERWISE			
	00 - 06"	0.020 + 0.005 * (DIMENSION)		
	06 - 50"	0.030 + 0.005 * (DIMENSION)		
	50 - 100"	0.030 + 0.006 * (DIMENSION)		
ONE COMPLETE SET INCLUDES:	ASSEMBLY:	DRAWN	J THOMSON	01/28/14
ONE (1) CASE, AS SHOWN	XXXX	CHECKED	M SCHRAPP	
		APPROVED	J THOMSON	

NAME	DATE
J THOMSON	01/28/14
M SCHRAPP	
J THOMSON	

AMERIPACK

TITLE:
AMERIPACK
AP2216-0503
ROTOMOLD CASE

SCALE: N/A

SHEET 1 OF 1

PROPRIETARY AND CONFIDENTIAL
THE INFORMATION CONTAINED IN THIS DRAWING IS THE SOLE PROPERTY OF AMERIPACK. ANY REPRODUCTION IN PART OR AS A WHOLE WITHOUT THE WRITTEN PERMISSION OF AMERIPACK IS PROHIBITED.