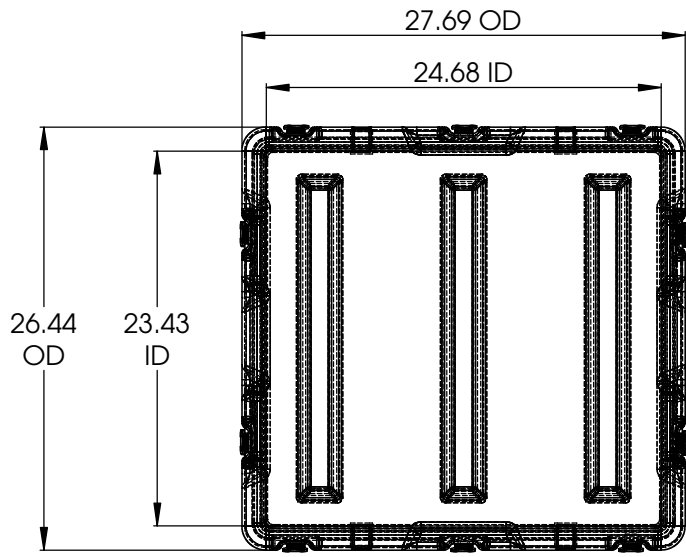
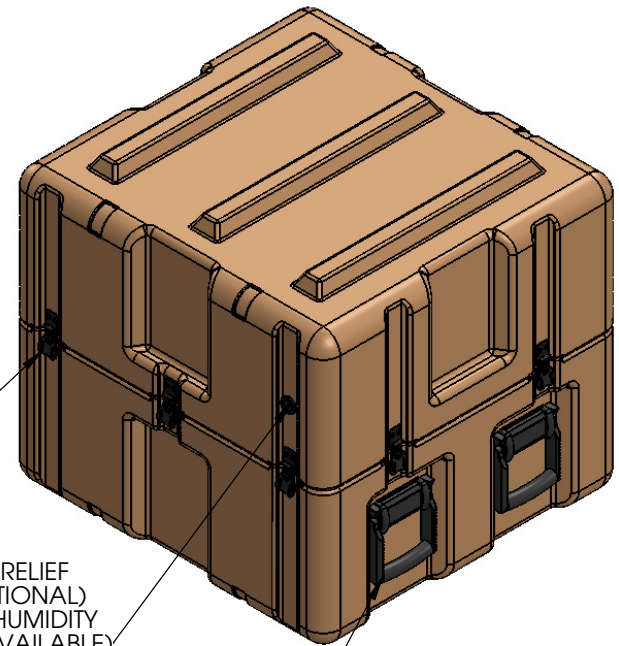


REVISIONS			
LEVEL	DESCRIPTION	APPROVED	DATE



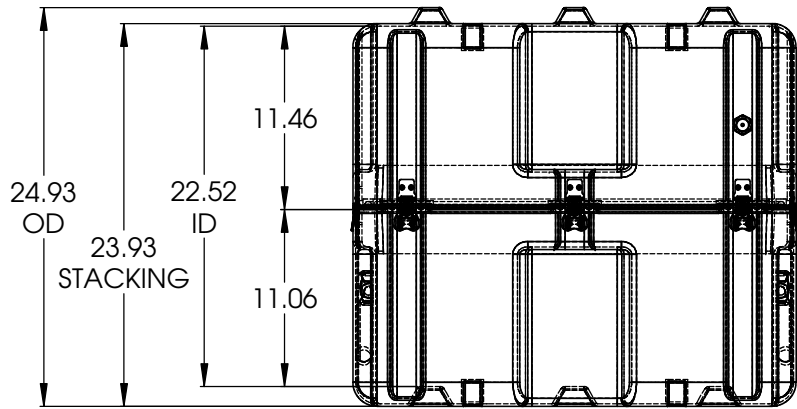
3X5 CARD HOLDER OPTIONAL
REMOVABLE CASTERS OPTIONAL




(10X) STANDARD LATCHES

PRESSURE RELIEF VALVE (OPTIONAL)
(OPTIONAL HUMIDITY INDICATOR AVAILABLE)

(4X) STANDARD PLASTIC HANDLES
(OPTIONAL SPRING LOADED HANDLES AVAILABLE)



MATERIALS:	DIMENSIONAL TOLERANCES		NAME	DATE	 TITLE: AMERIPACK AP2423-1111 ROTOMOLD CASE
ROTOMOLDED POLYETHYLENE	ALL DIMENSIONS IN INCHES UNLESS NOTED OTHERWISE				
ONE COMPLETE SET INCLUDES:	ASSEMBLY:	00 - 06" 0.020 + 0.005 * (DIMENSION)	DRAWN	M SCHRAPP	10/16/13
	ONE (1) CASE, AS SHOWN	XXXX	CHECKED	J THOMSON	
			APPROVED	J THOMSON	

PROPRIETARY AND CONFIDENTIAL
THE INFORMATION CONTAINED IN THIS DRAWING IS THE SOLE PROPERTY OF AMERIPACK. ANY REPRODUCTION IN PART OR AS A WHOLE WITHOUT THE WRITTEN PERMISSION OF AMERIPACK IS PROHIBITED.

SIZE DWG. NO. CAP2423-1111 REV
SCALE: N/A SHEET 1 OF 1