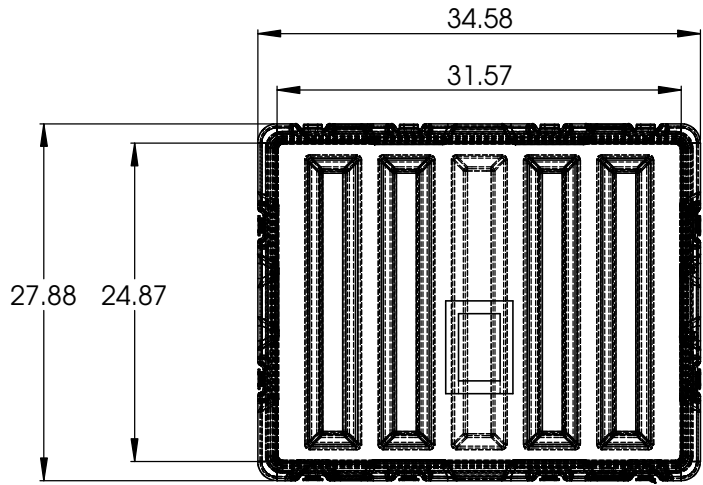
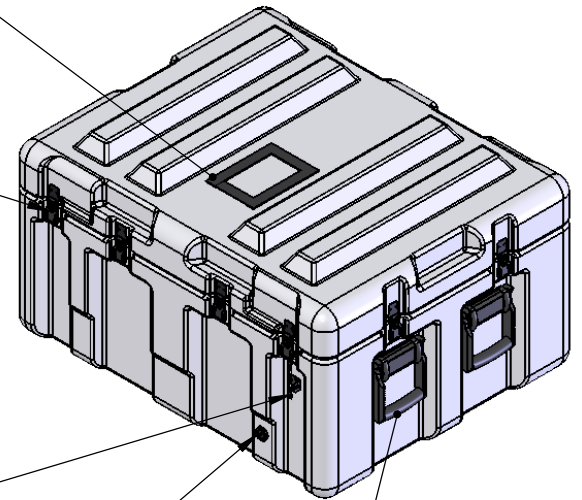


REVISIONS			
LEVEL	DESCRIPTION	APPROVED	DATE



OPTIONAL 3X5 CARD HOLDER

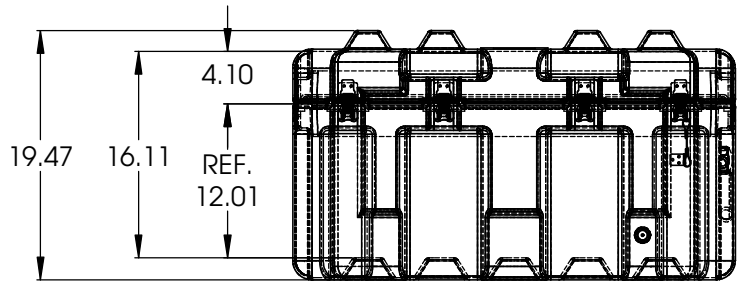
12X STANDARD LATCHES  
(OPTIONAL 4X HINGES/8X LATCHES  
FOR HINGED LID AVAILABLE)



OPTIONAL PAD LOCK HASP

OPTIONAL PRESSURE RELIEF VALVE  
(OPTIONAL HUMIDITY INDICATOR AVAILABLE)

(4X) STANDARD PLASTIC HANDLES  
(OPTIONAL SPRING LOADED HANDLES AVAILABLE)



MATERIALS:	DIMENSIONAL TOLERANCES				
ROTOMOLDED POLYETHYLENE	ALL DIMENSIONS IN INCHES UNLESS NOTED OTHERWISE				
	00 - 06"	0.020 + 0.005 * (DIMENSION)			
	06 - 50"	0.030 + 0.005 * (DIMENSION)			
	50 - 100"	0.030 + 0.006 * (DIMENSION)			
ONE COMPLETE SET INCLUDES:	ASSEMBLY:		DRAWN	J THOMSON	01/28/14
ONE (1) CASE , AS SHOWN	XXXX		CHECKED	M SCHRAPP	
			APPROVED	J THOMSON	

NAME	DATE
J THOMSON	01/28/14

  
**AMERIPACK**

TITLE:  
AMERIPACK  
AP3124-1204  
ROTOMOLD CASE

SIZE <b>C</b>	DWG. NO. AP3124-1204	REV
SCALE: N/A	SHEET 1 OF 1	

**PROPRIETARY AND CONFIDENTIAL**  
THE INFORMATION CONTAINED IN THIS DRAWING IS THE SOLE PROPERTY OF AMERIPACK. ANY REPRODUCTION IN PART OR AS A WHOLE WITHOUT THE WRITTEN PERMISSION OF AMERIPACK IS PROHIBITED.