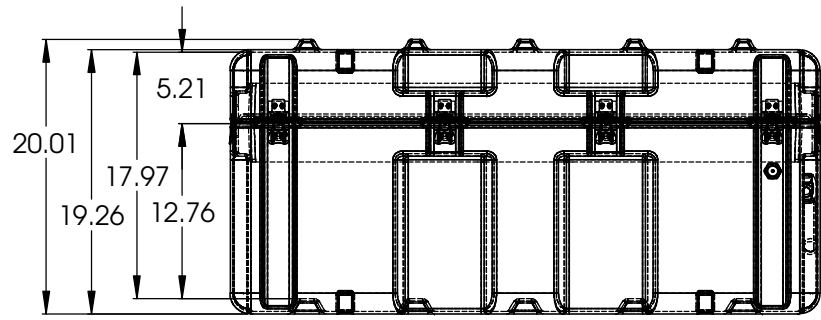
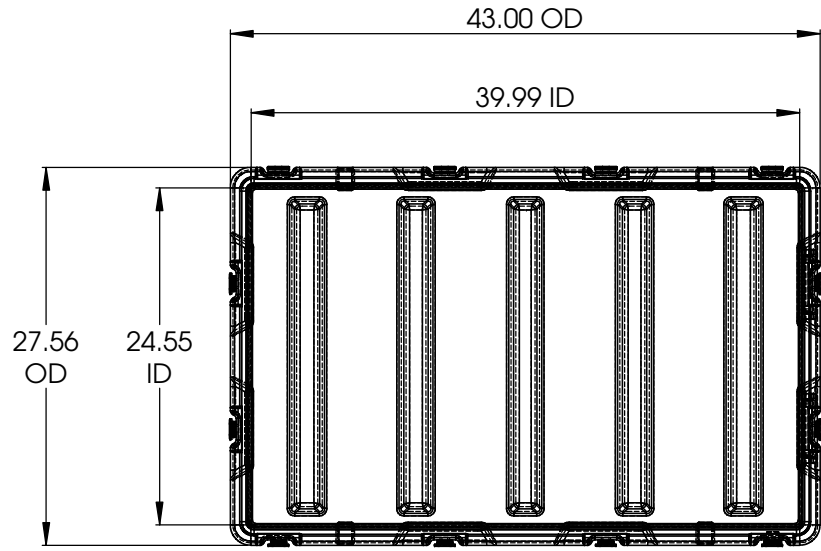
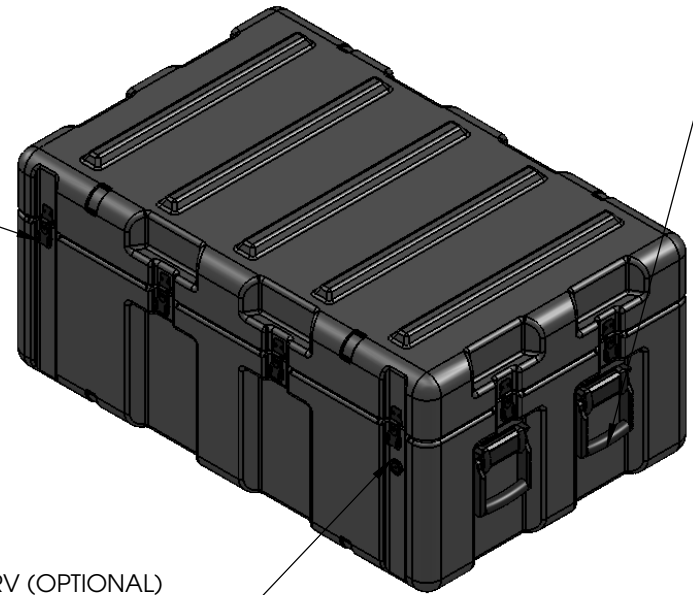


REVISIONS			
LEVEL	DESCRIPTION	APPROVED	DATE



(8X) STANDARD LATCHES/(4X) HINGES
 ((12X) LATCHES AVAILABLE FOR
 REMOVABLE LID)

(4X) STANDARD PLASTIC HANDLES
 (OPTIONAL STEEL HANDLES AVAILABLE)



PRV (OPTIONAL)
 (OPTIONAL HUMIDITY
 INDICATOR AVAILABLE)

MATERIALS:	DIMENSIONAL TOLERANCES		NAME	DATE
ROTOMOLDED POLYETHYLENE	ALL DIMENSIONS IN INCHES UNLESS NOTED OTHERWISE		M SCHRAPP	10/17/13
	00 - 06"	0.020 + 0.005 * (DIMENSION)		
	06 - 50"	0.030 + 0.005 * (DIMENSION)		
	50 - 100"	0.030 + 0.006 * (DIMENSION)		
ONE COMPLETE SET INCLUDES:	ASSEMBLY:	DRAWN		
ONE (1) CASE, AS SHOWN	XXXX	CHECKED	J THOMSON	
		APPROVED	J THOMSON	



TITLE:
 AMERIPACK
 AP4024-1305
 ROTOMOLD CASE

SIZE DWG. NO. REV
 C AP4024-1305
 SCALE: N/A SHEET 1 OF 1

PROPRIETARY AND CONFIDENTIAL
 THE INFORMATION CONTAINED IN THIS
 DRAWING IS THE SOLE PROPERTY OF
 AMERIPACK. ANY REPRODUCTION IN
 PART OR AS A WHOLE WITHOUT THE
 WRITTEN PERMISSION OF AMERIPACK
 IS PROHIBITED.