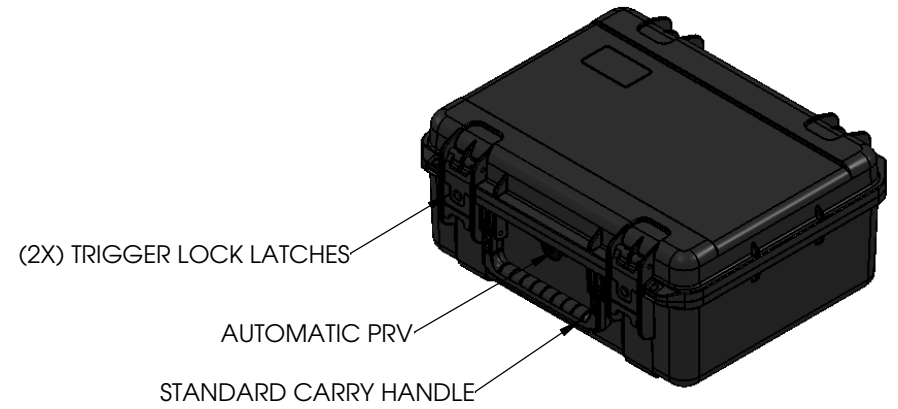
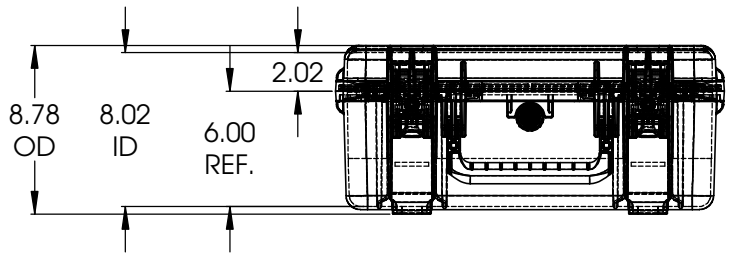
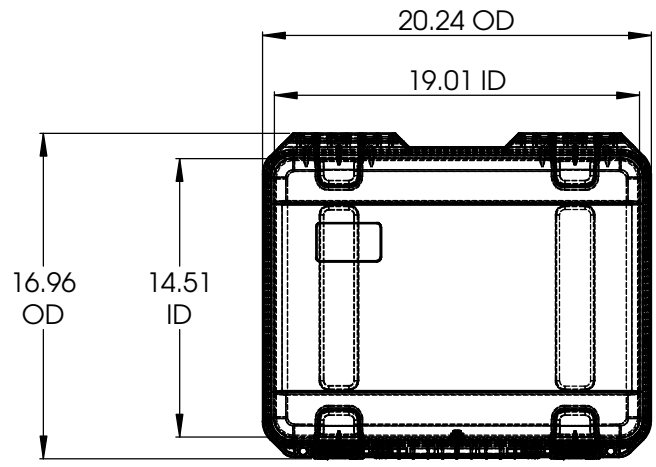



REVISIONS			
LEVEL	DESCRIPTION	APPROVED	DATE



MATERIALS:	DIMENSIONAL TOLERANCES		NAME	DATE	 TITLE: AP3I-1914N-8 MIL STD CASE ASSEMBLY SIZE DWG. NO. REV CAP3I-1914N-8 SCALE: N/A SHEET 1 OF 1	
INJECTION MOLDED POLYPROPYLENE	ALL DIMENSIONS IN INCHES UNLESS NOTED OTHERWISE					
ONE COMPLETE SET INCLUDES:	00 - 06"	0.125"	DRAWN	M SCHRAPP		12/13/12
	06 - 12"	0.250"	CHECKED	J THOMSON		
	12 - 50"	0.375"	APPROVED	J THOMSON		
ONE (1) CASE, AS SHOWN	ASSEMBLY:	XXXX				

PROPRIETARY AND CONFIDENTIAL
 THE INFORMATION CONTAINED IN THIS DRAWING IS THE SOLE PROPERTY OF AMERIPACK. ANY REPRODUCTION IN PART OR AS A WHOLE WITHOUT THE WRITTEN PERMISSION OF AMERIPACK IS PROHIBITED.