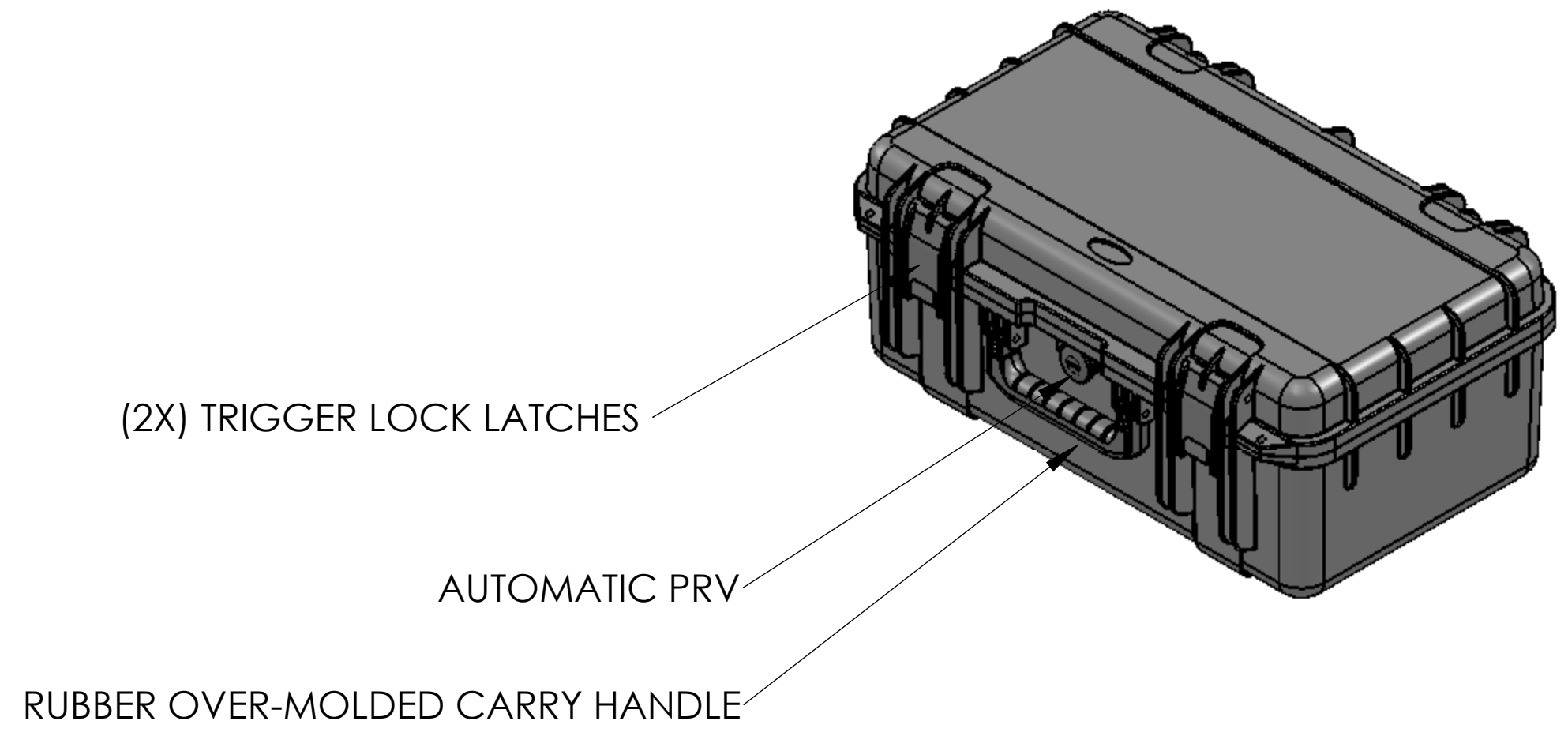
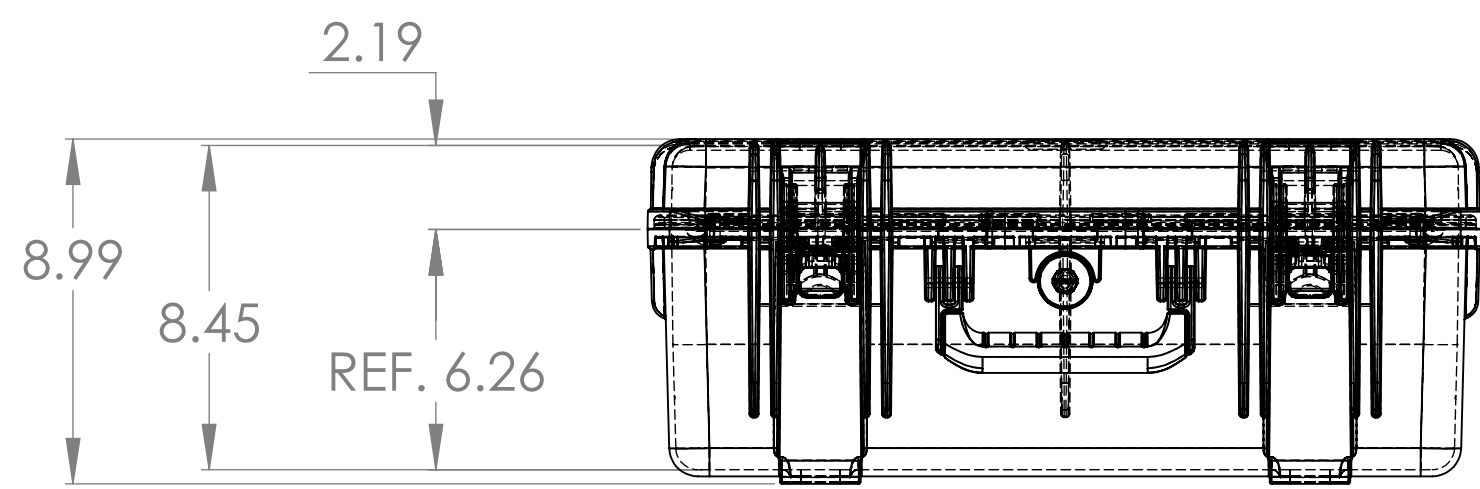
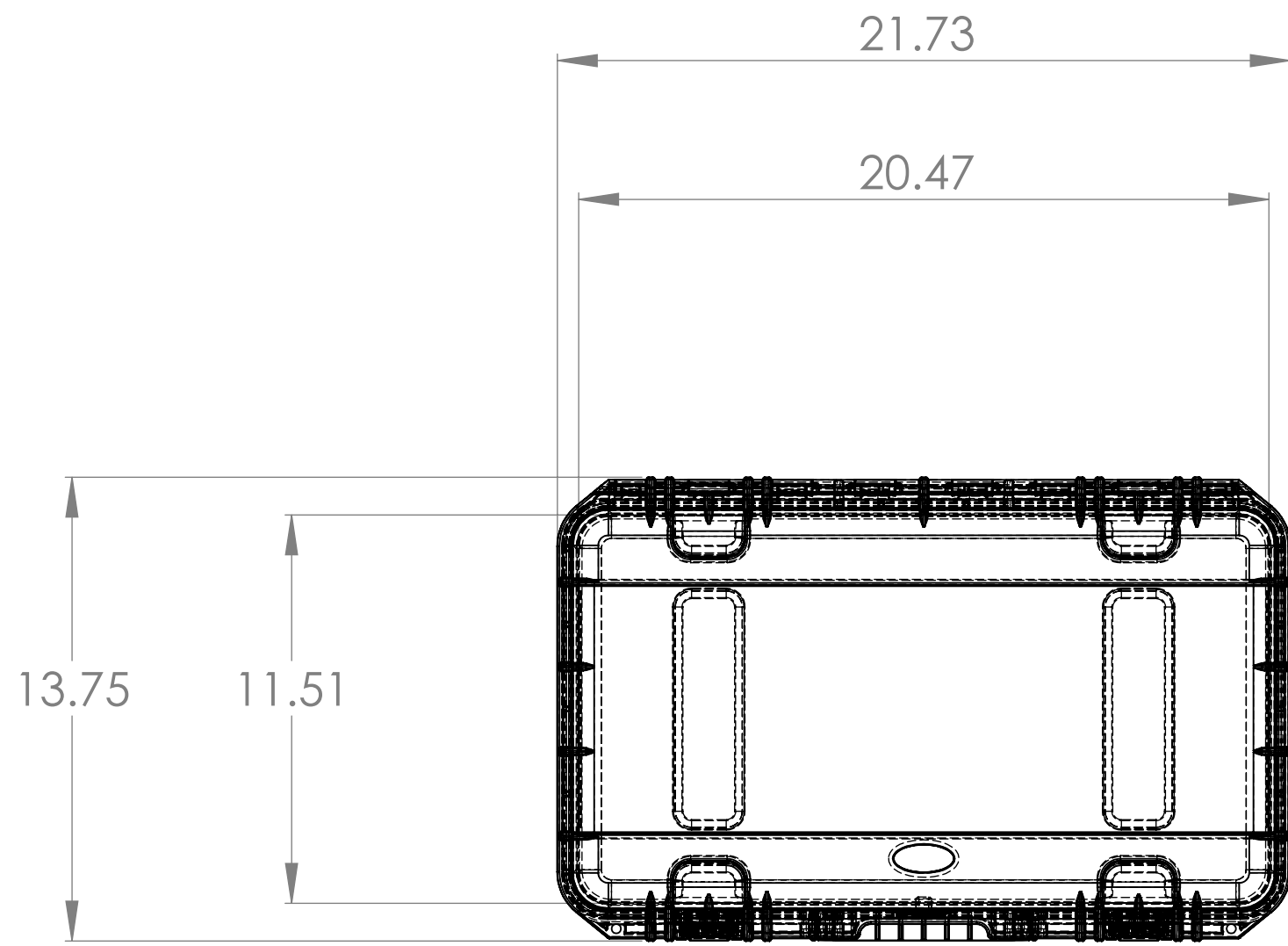


REVISIONS			
LEVEL	DESCRIPTION	APPROVED	DATE



MATERIALS:		DIMENSIONAL TOLERANCES			NAME	DATE	
INJECTION MOLDED POLYPROPYLENE		ALL DIMENSIONS IN INCHES UNLESS NOTED OTHERWISE					
ONE COMPLETE SET INCLUDES: ONE (1) CASE, AS SHOWN		ASSEMBLY:		DRAWN	M SCHRAPP	03/08/10	TITLE: AP3I-2011-8 MIL STD CASE ASSEMBLY
		XXXX		CHECKED	L GORDON		
				APPROVED	J THOMSON		
PROPRIETARY AND CONFIDENTIAL THE INFORMATION CONTAINED IN THIS DRAWING IS THE SOLE PROPERTY OF AMERIPACK. ANY REPRODUCTION IN PART OR AS A WHOLE WITHOUT THE WRITTEN PERMISSION OF AMERIPACK IS PROHIBITED.				SIZE DWG. NO. REV C AP3I-2011-8		SCALE: N/A SHEET 1 OF 1	