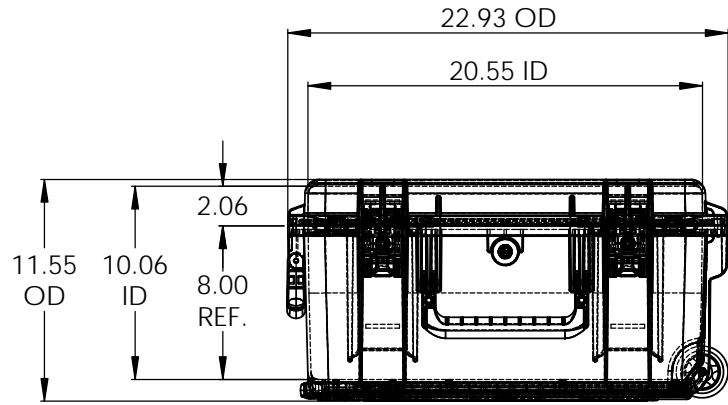
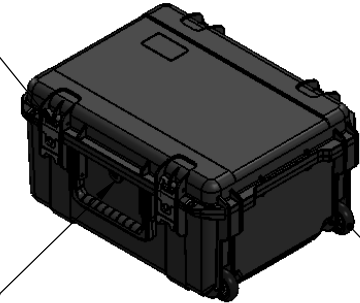


REVISIONS			
LEVEL	DESCRIPTION	APPROVED	DATE
1	UPDATED TO MATCH REVISED MOLD	J THOMSON	01/20/14

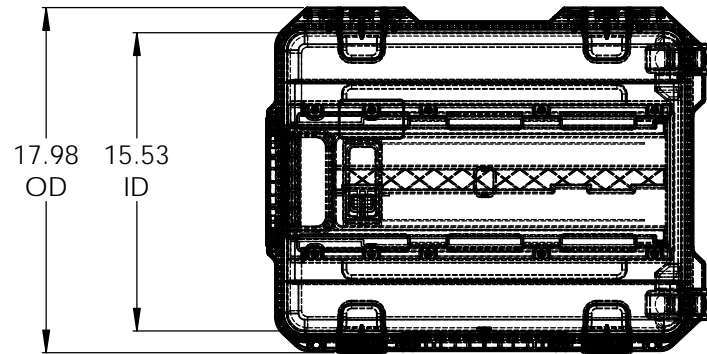


(2X) TRIGGER LOCK LATCHES

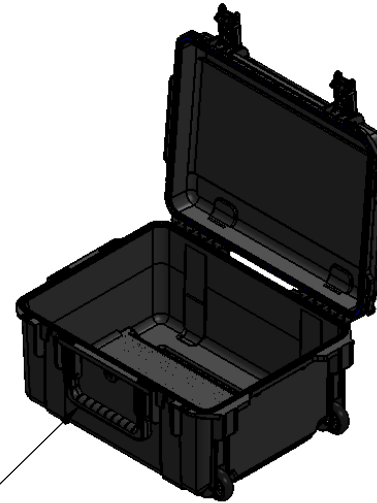


AUTOMATIC PRV

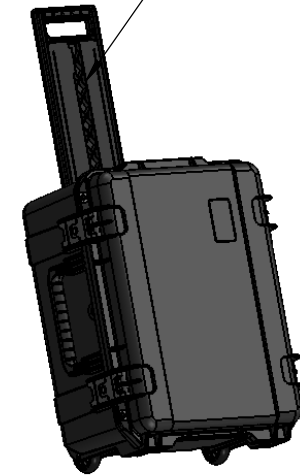
(2X) 60MM EDGE CASTERS




RETRACTABLE PULL HANDLE



RUBBER OVERMOLD HANDLE ON FRONT



MATERIALS:	DIMENSIONAL TOLERANCES		NAME	DATE	
INJECTION MOLDED POLYPROPYLENE	ALL DIMENSIONS IN INCHES UNLESS NOTED OTHERWISE				
ONE COMPLETE SET INCLUDES:	ASSEMBLY:	DRAWN	M SCHRAPP	03/08/10	TITLE: AP3I-2015-10 MIL STD CASE ASSEMBLY
	ONE (1) CASE, AS SHOWN	XXXX	CHECKED	L GORDON	
		APPROVED	J THOMSON		SIZE DWG. NO. REV C AP3I-2015-10 1 SCALE: N/A SHEET 1 OF 1

PROPRIETARY AND CONFIDENTIAL
THE INFORMATION CONTAINED IN THIS DRAWING IS THE SOLE PROPERTY OF AMERIPACK. ANY REPRODUCTION IN PART OR AS A WHOLE WITHOUT THE WRITTEN PERMISSION OF AMERIPACK IS PROHIBITED.