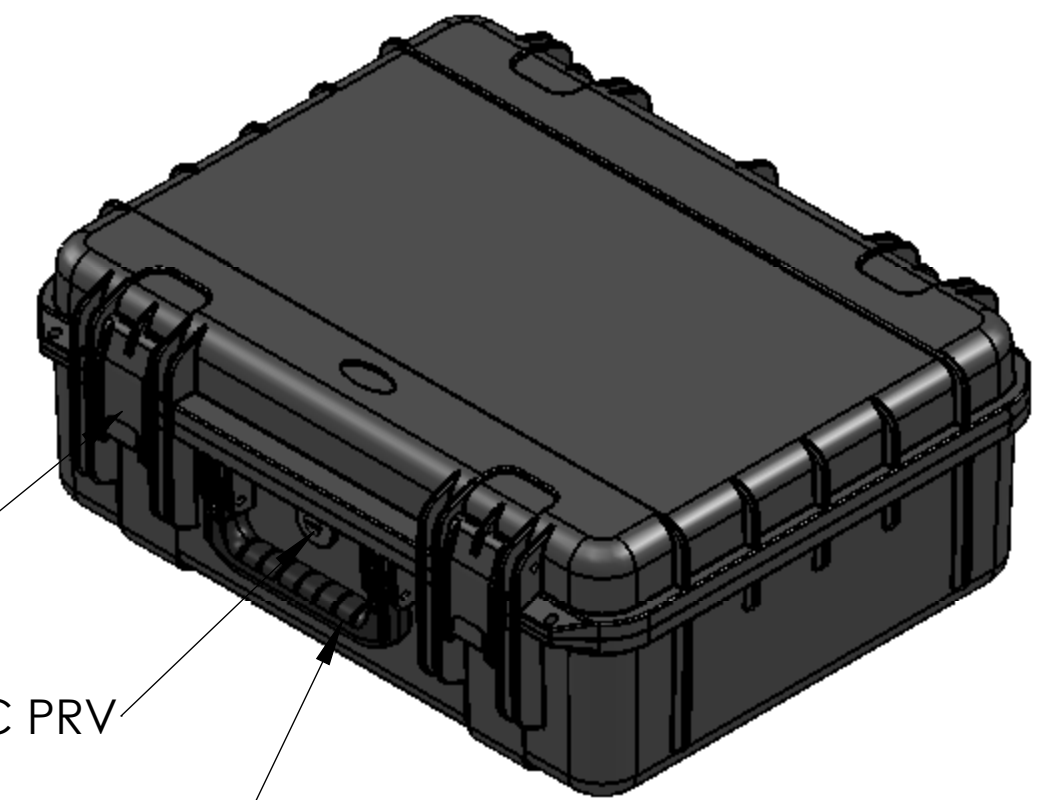
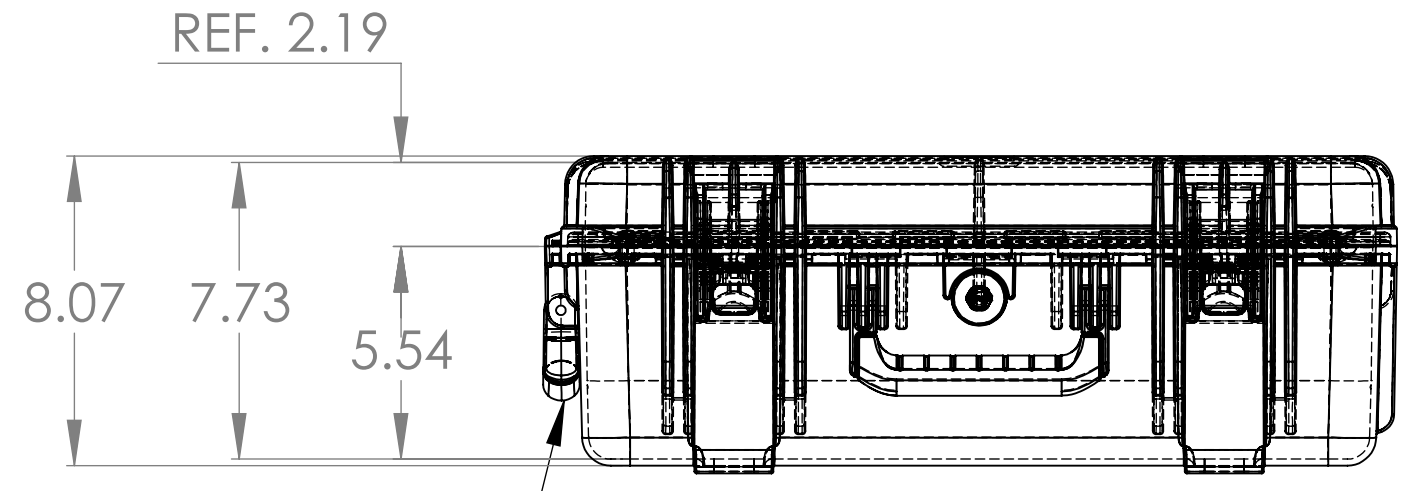
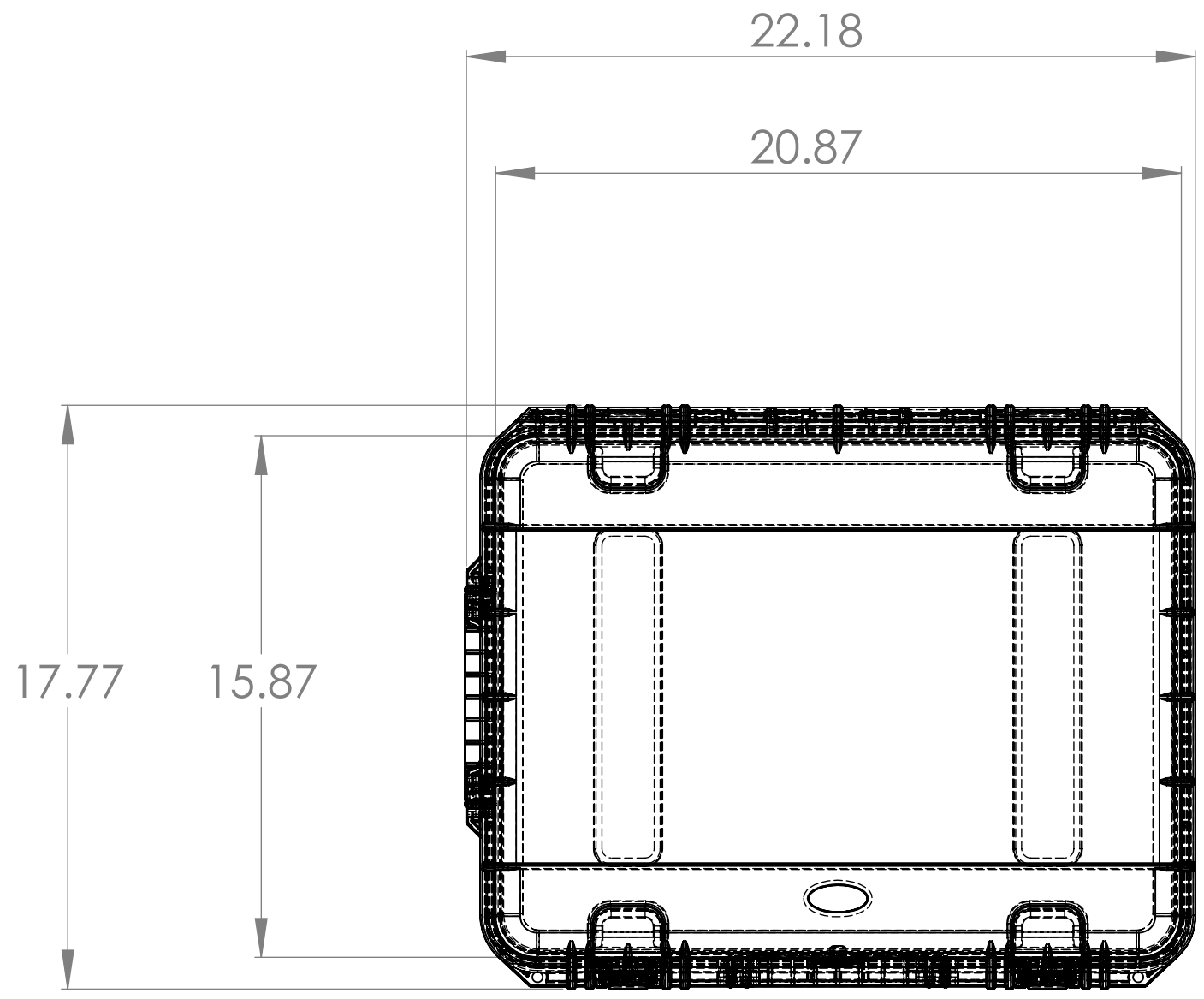


REVISIONS			
LEVEL	DESCRIPTION	APPROVED	DATE




(2X) TRIGGER LOCK LATCHES

AUTOMATIC PRV

RUBBER OVER-MOLDED CARRY HANDLE

RUBBER OVER-MOLDED CARRY HANDLE

MATERIALS:		DIMENSIONAL TOLERANCES		NAME	DATE	
INJECTION MOLDED POLYPROPYLENE		ALL DIMENSIONS IN INCHES UNLESS NOTED OTHERWISE				
		00 - 06"	0.125"	DRAWN	M SCHRAPP	03/08/10
		06 - 12"	0.250"			
		12 - 50"	0.375"			
ONE COMPLETE SET INCLUDES:		ASSEMBLY:		CHECKED	L GORDON	TITLE: AP3I-2015-7 MIL STD CASE ASSEMBLY
ONE (1) CASE, AS SHOWN		XXXX		APPROVED	J THOMSON	
PROPRIETARY AND CONFIDENTIAL THE INFORMATION CONTAINED IN THIS DRAWING IS THE SOLE PROPERTY OF AMERIPACK. ANY REPRODUCTION IN PART OR AS A WHOLE WITHOUT THE WRITTEN PERMISSION OF AMERIPACK IS PROHIBITED.				SIZE DWG. NO. REV C AP3I-2015-7		SCALE: N/A SHEET 1 OF 1