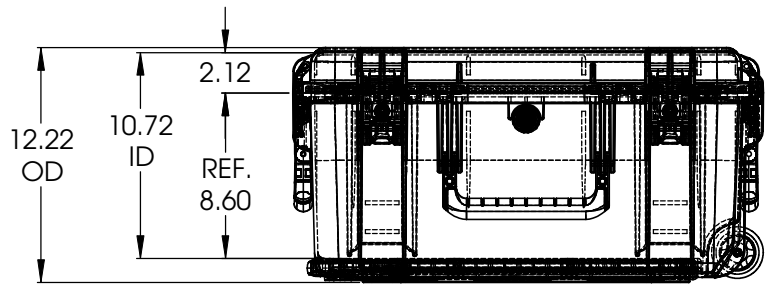
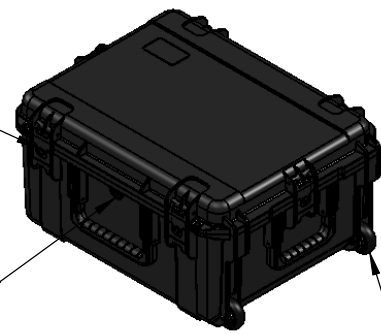


REVISIONS			
LEVEL	DESCRIPTION	APPROVED	DATE

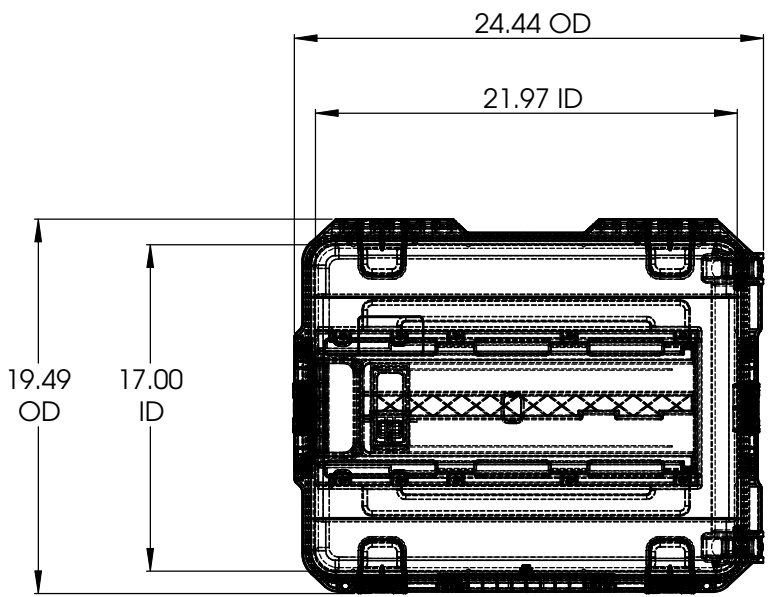


(4X) TRIGGER LOCK LATCHES

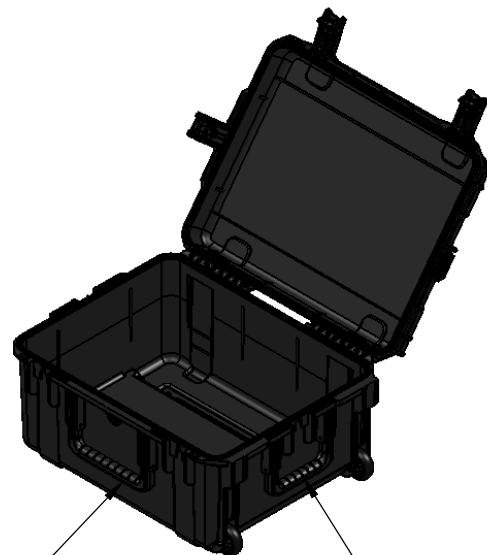


AUTOMATIC PRY

(2X) 60MM EDGE CASTERS



RETRACTABLE PULL HANDLE



RUBBER OVERMOLD HANDLE ON FRONT

RUBBER OVERMOLD HANDLE ON LEFT AND RIGHT SIDES



MATERIALS:		DIMENSIONAL TOLERANCES	
INJECTION MOLDED POLYPROPYLENE		ALL DIMENSIONS IN INCHES UNLESS NOTED OTHERWISE	
		00 - 06"	0.125"
		06 - 12"	0.250"
12 - 50"	0.375"		
ONE COMPLETE SET INCLUDES:	ASSEMBLY:	DRAWN	J THOMSON
ONE (1) CASE, AS SHOWN	XXXX	CHECKED	M SCHRAPP
		APPROVED	J THOMSON

NAME	DATE
J THOMSON	12/13/10

AMERIPACK

TITLE:
AP3I-2217-10
MIL STD CASE
ASSEMBLY

SCALE: N/A

SIZE DWG. NO. REV
CAP3I-2217-10

SHEET 1 OF 1

PROPRIETARY AND CONFIDENTIAL
THE INFORMATION CONTAINED IN THIS DRAWING IS THE SOLE PROPERTY OF AMERIPACK. ANY REPRODUCTION IN PART OR AS A WHOLE WITHOUT THE WRITTEN PERMISSION OF AMERIPACK IS PROHIBITED.