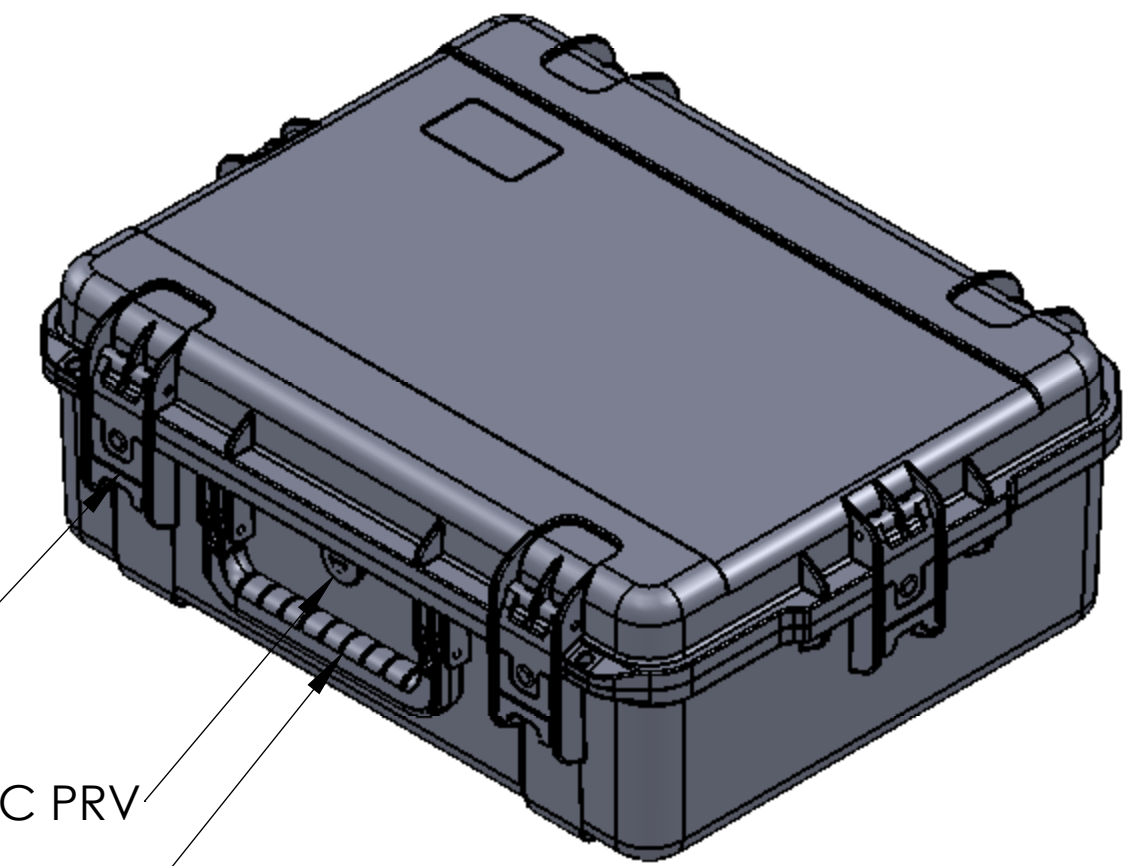
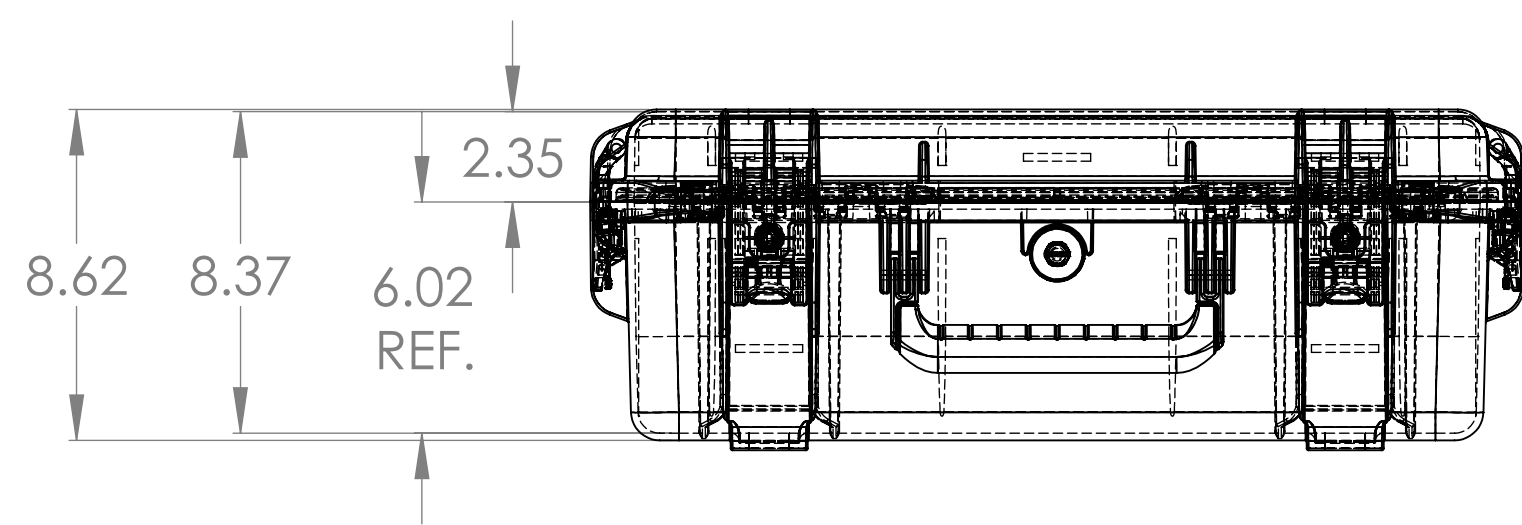
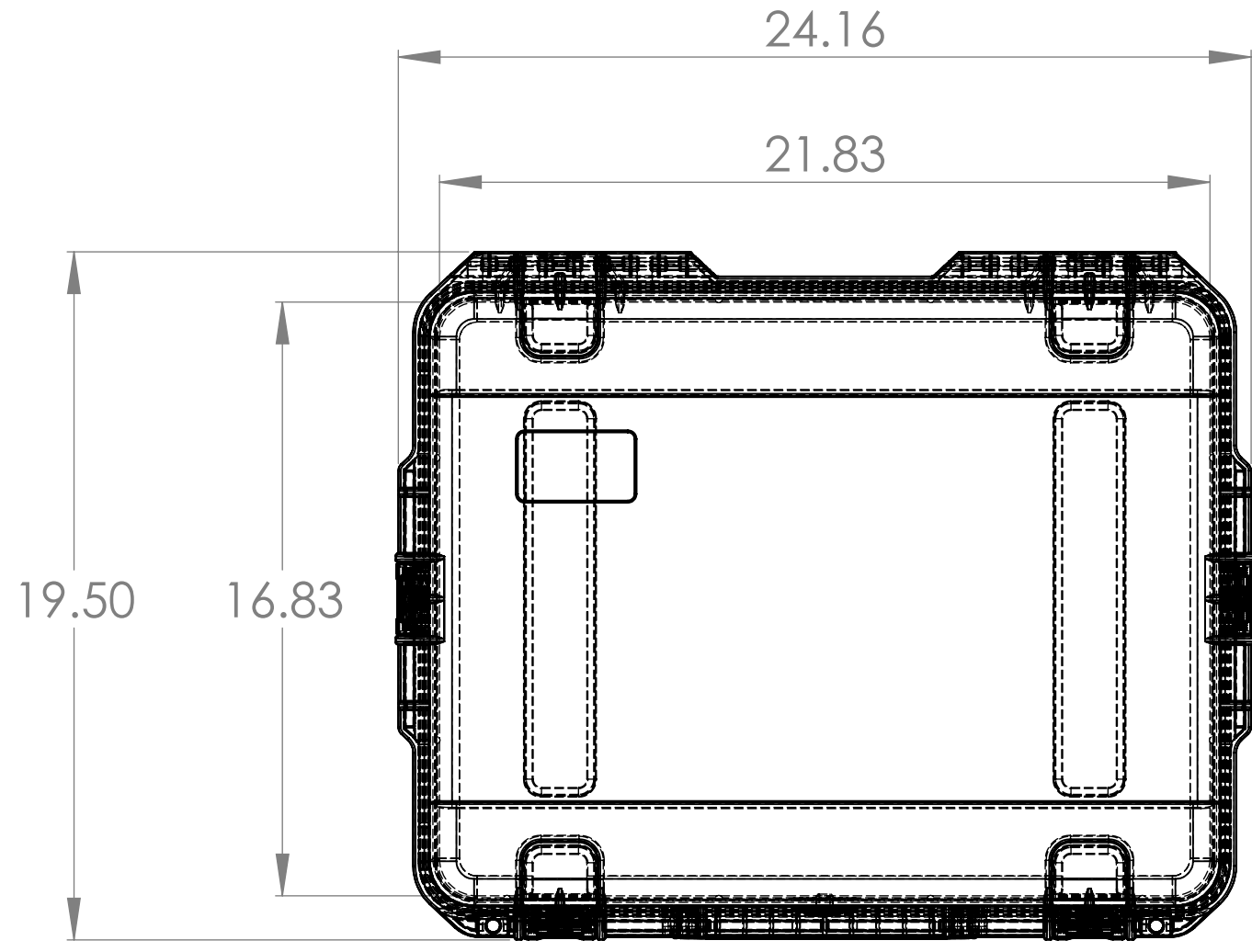


REVISIONS			
LEVEL	DESCRIPTION	APPROVED	DATE



(4X) TRIGGER LOCK LATCHES

AUTOMATIC PRV

RUBBER OVER-MOLDED CARRY HANDLE

MATERIALS:		DIMENSIONAL TOLERANCES	
INJECTION MOLDED POLYPROPYLENE		ALL DIMENSIONS IN INCHES UNLESS NOTED OTHERWISE	
		00 - 06"	0.125"
		06 - 12"	0.250"
		12 - 50"	0.375"
ONE COMPLETE SET INCLUDES:	ASSEMBLY:	DRAWN	M SCHRAPP 04/27/10
ONE (1) CASE, AS SHOWN	XXXX	CHECKED	J THOMSON
		APPROVED	J THOMSON

NAME	DATE
M SCHRAPP	04/27/10
J THOMSON	
J THOMSON	

**AMERIPACK**

TITLE:  
AP3I-2217-8  
MIL STD CASE  
ASSEMBLY

SIZE DWG. NO. REV  
**C** AP3I-2217-8

SCALE: N/A SHEET 1 OF 1

PROPRIETARY AND CONFIDENTIAL  
THE INFORMATION CONTAINED IN THIS  
DRAWING IS THE SOLE PROPERTY OF  
AMERIPACK. ANY REPRODUCTION IN  
PART OR AS A WHOLE WITHOUT THE  
WRITTEN PERMISSION OF AMERIPACK  
IS PROHIBITED.