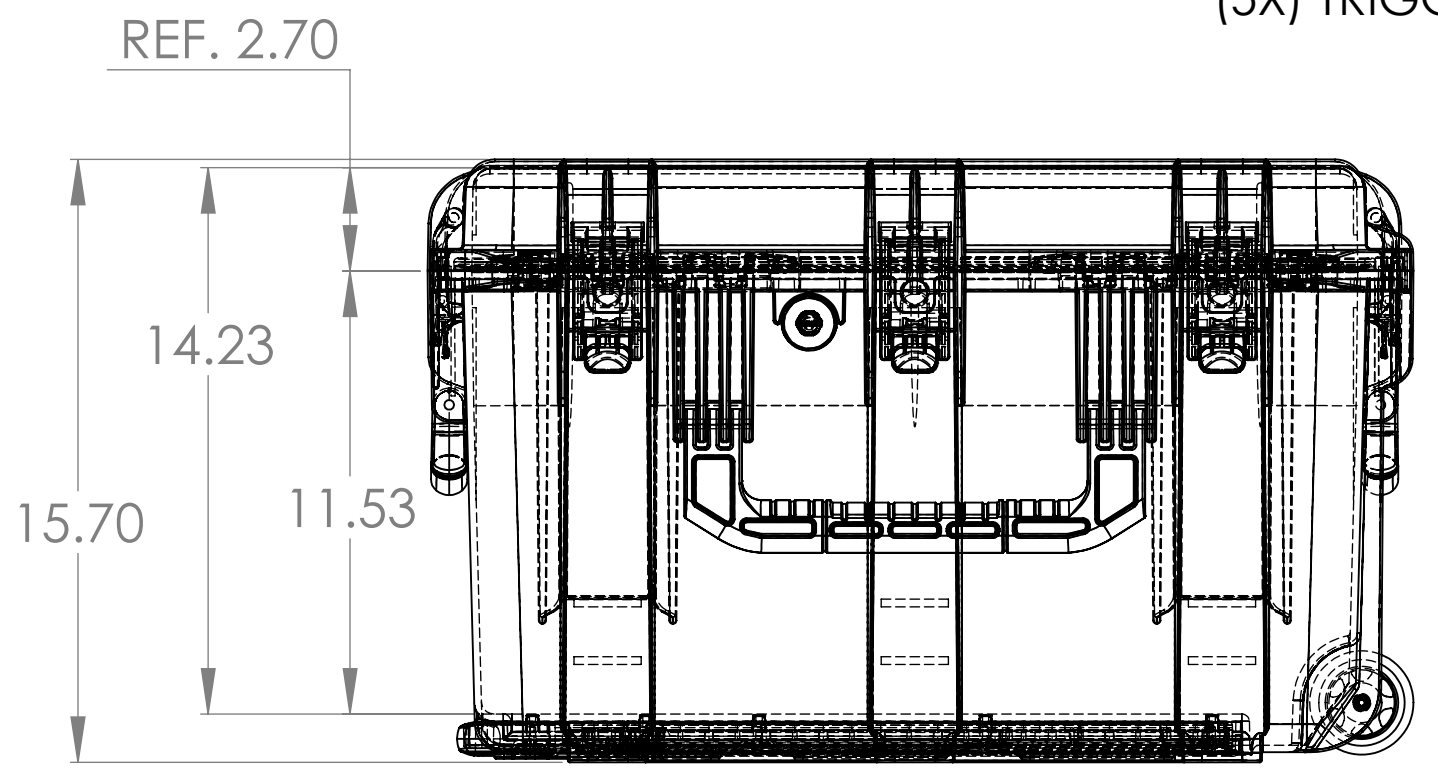
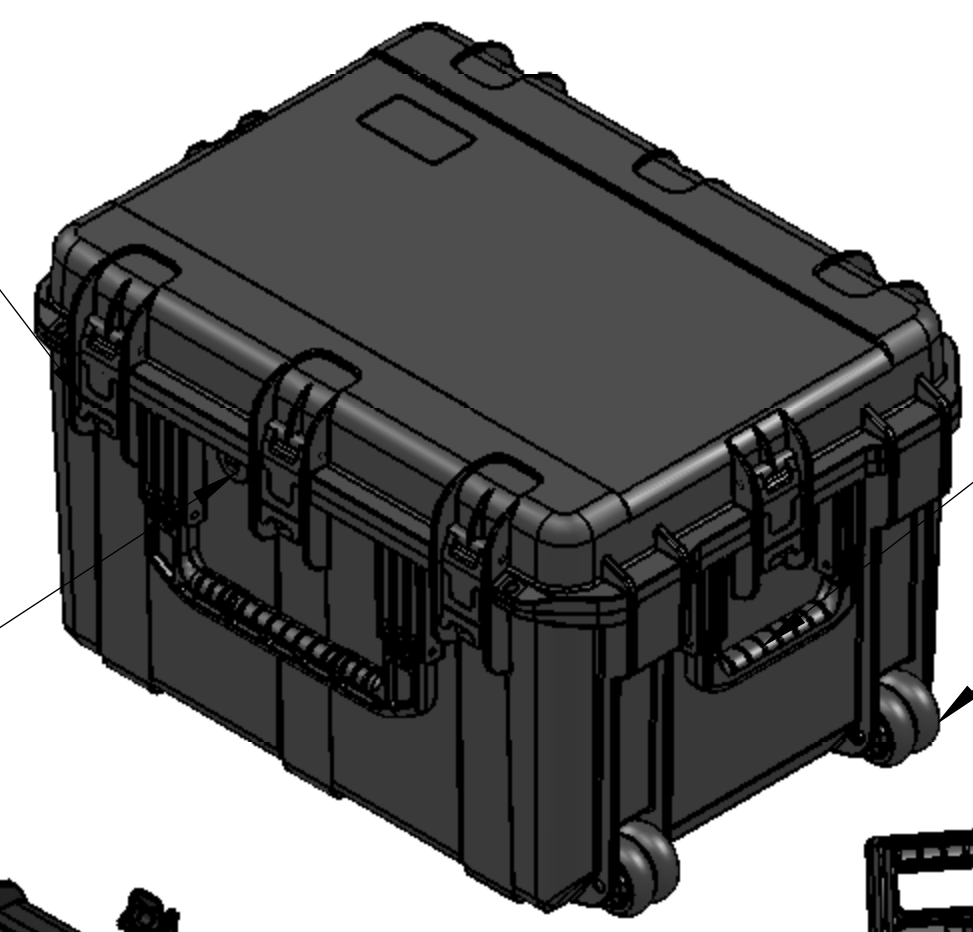


REVISIONS			
LEVEL	DESCRIPTION	APPROVED	DATE

(5X) TRIGGER LOCK LATCHES



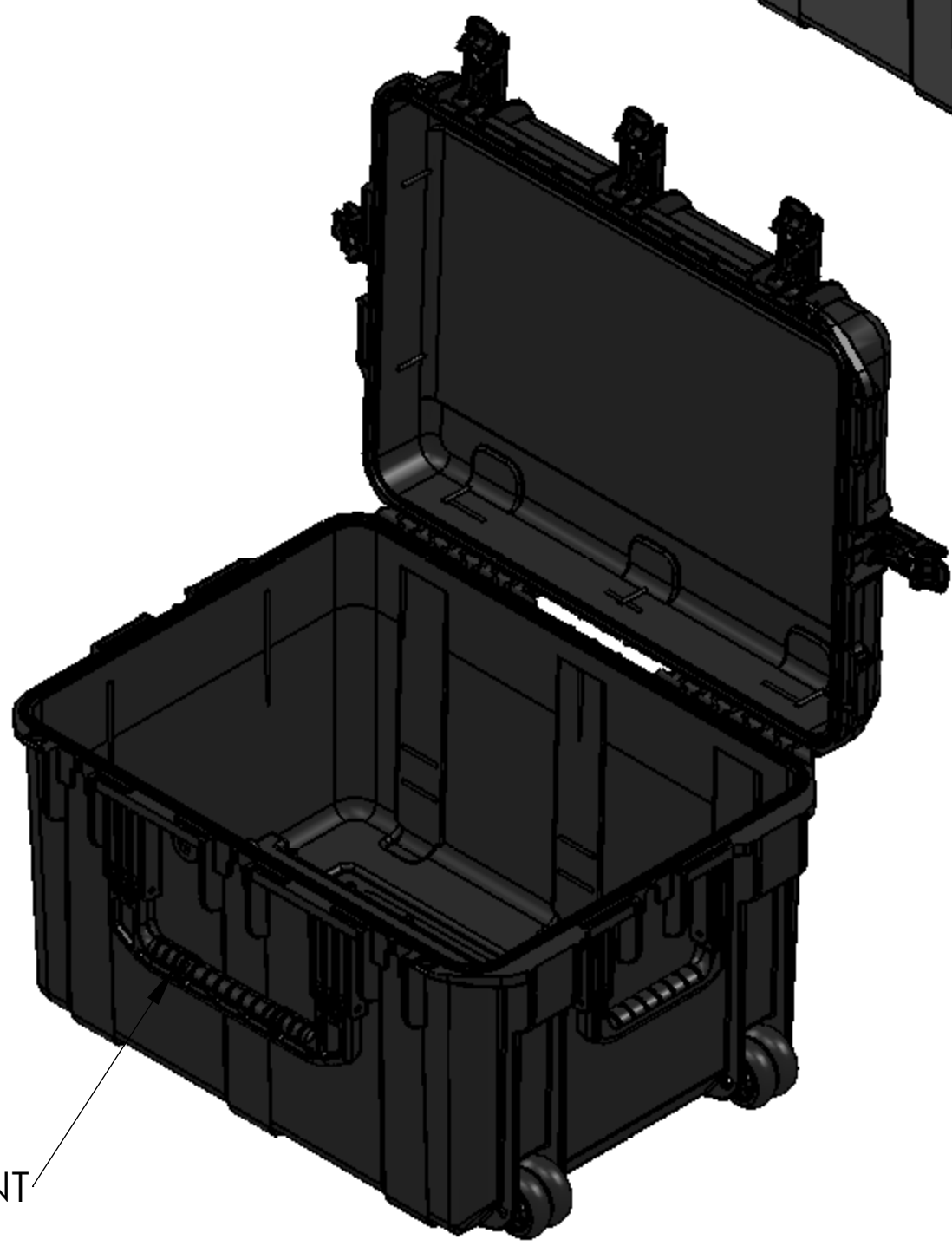
AUTOMATIC PRV VALVE



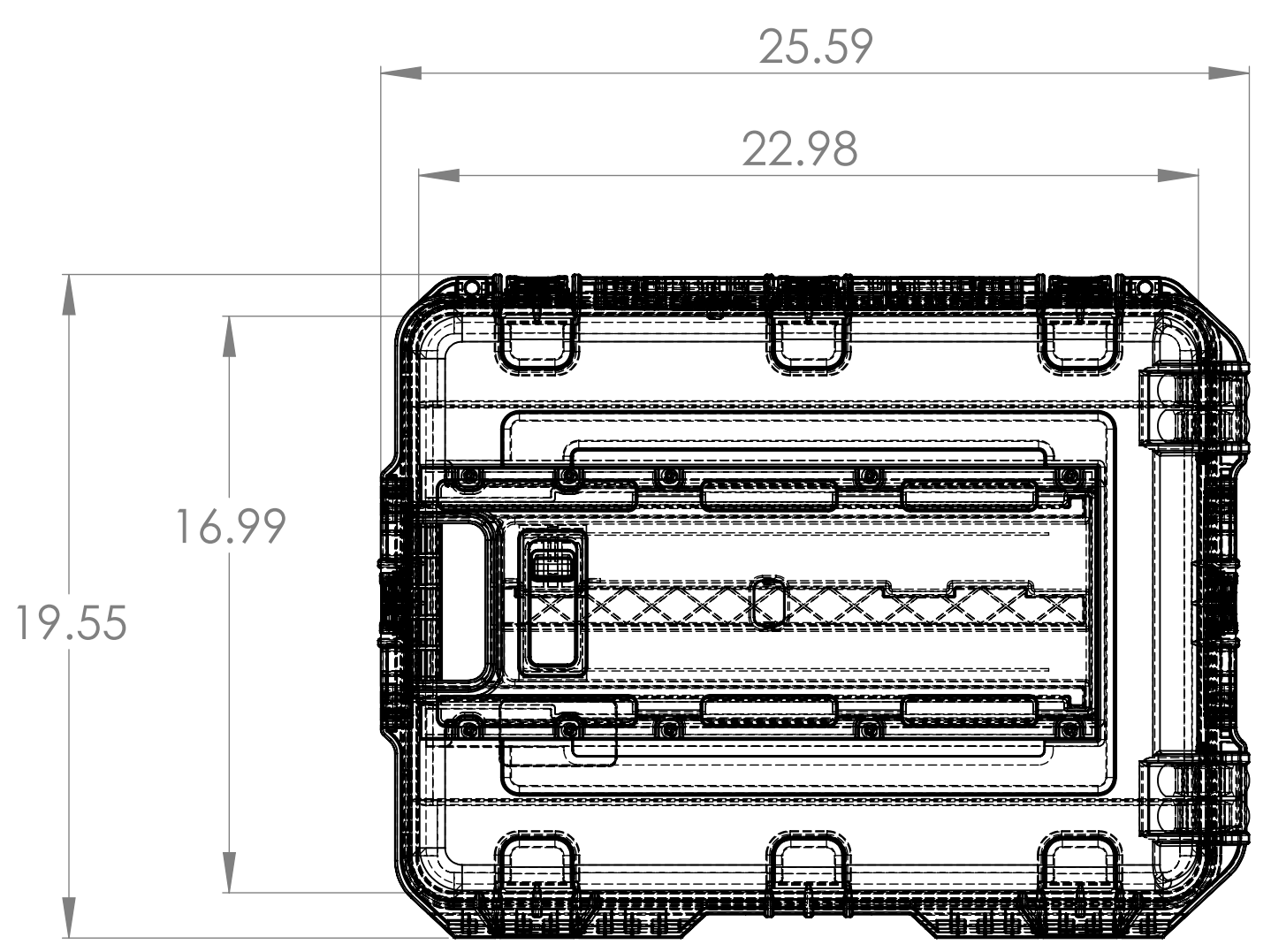
TWO (2) STANDARD HANDLES  
ONE ON EACH END


FOUR (4) 60MM EDGE CASTERS

RETRACTABLE PULL HANDLE



OVERSIZE CARRY HANDLE ON FRONT



MATERIALS:	DIMENSIONAL TOLERANCES		NAME	DATE	 TITLE: AP3I-2317-14 MIL STD CASE ASSEMBLY	
INJECTION MOLDED POLYPROPYLENE	ALL DIMENSIONS IN INCHES UNLESS NOTED OTHERWISE					
ONE COMPLETE SET INCLUDES:	00 - 06"	0.125"	DRAWN	M SCHRAPP		03/11/10
	06 - 12"	0.250"	CHECKED	L GORDON		
ONE (1) CASE, AS SHOWN	12 - 50"	0.375"	APPROVED	J THOMSON		
	ASSEMBLY:	XXXX				

**PROPRIETARY AND CONFIDENTIAL**  
 THE INFORMATION CONTAINED IN THIS DRAWING IS THE SOLE PROPERTY OF AMERIPACK. ANY REPRODUCTION IN PART OR AS A WHOLE WITHOUT THE WRITTEN PERMISSION OF AMERIPACK IS PROHIBITED.

SIZE | DWG. NO. | REV  
**CAP3I-2317-14**  
 SCALE: N/A | SHEET 1 OF 1