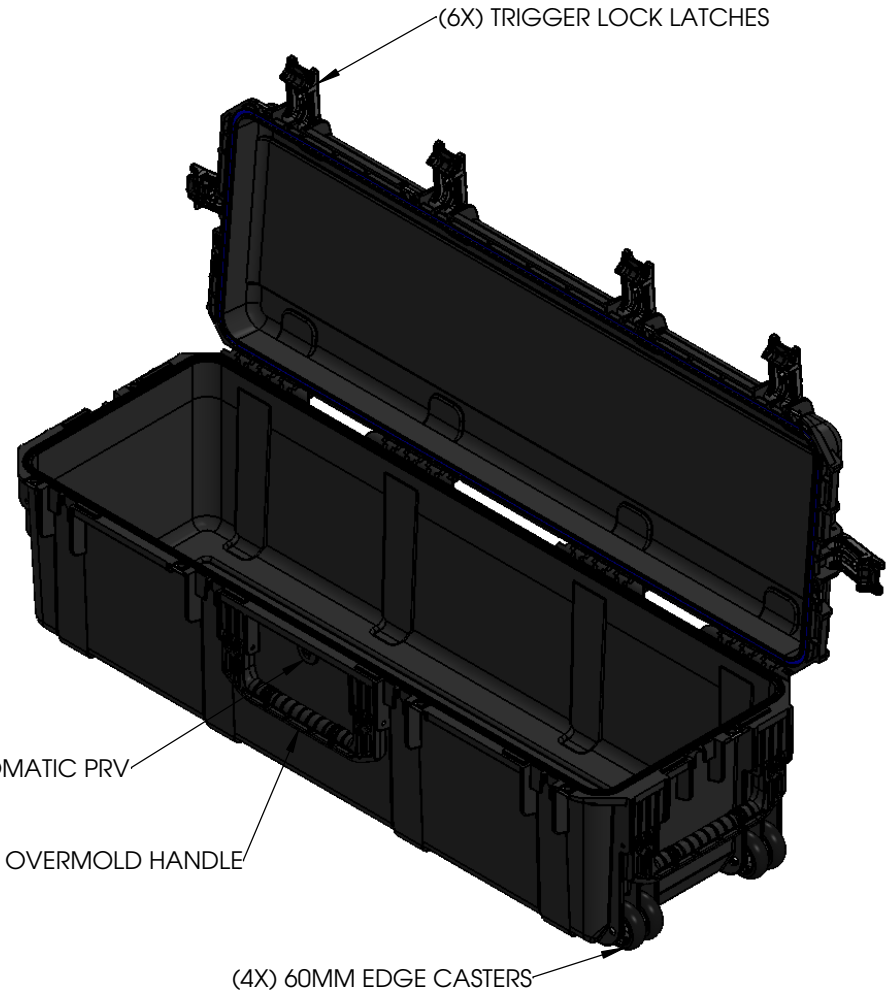
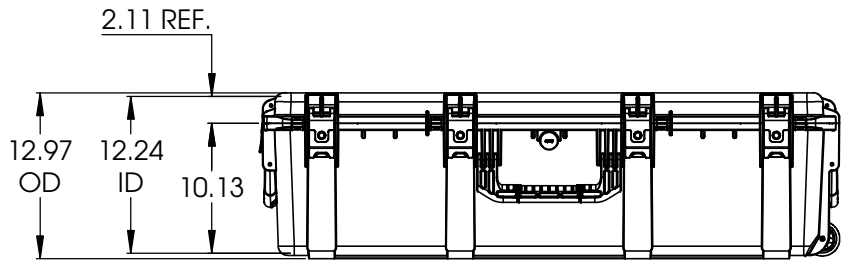
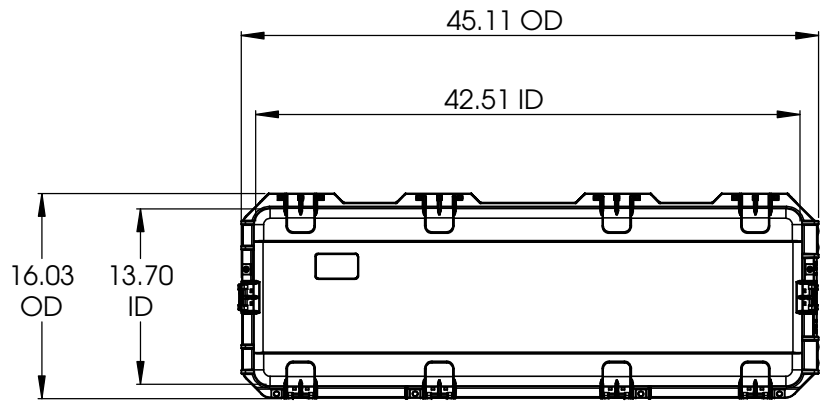



REVISIONS			
LEVEL	DESCRIPTION	APPROVED	DATE



MATERIALS:	DIMENSIONAL TOLERANCES		NAME	DATE	 TITLE: AP31-4213-12 MIL STD CASE ASSEMBLY	
INJECTION MOLDED POLYPROPYLENE	ALL DIMENSIONS IN INCHES UNLESS NOTED OTHERWISE					
ONE COMPLETE SET INCLUDES:	ASSEMBLY:	00 - 06" 0.125"	DRAWN	J THOMSON		07/21/14
	XXXX	06 - 12" 0.250"	CHECKED	M SCHRAPP		
ONE (1) CASE, AS SHOWN		12 - 50" 0.375"	APPROVED	J THOMSON		

**PROPRIETARY AND CONFIDENTIAL**  
 THE INFORMATION CONTAINED IN THIS DRAWING IS THE SOLE PROPERTY OF AMERIPACK. ANY REPRODUCTION IN PART OR AS A WHOLE WITHOUT THE WRITTEN PERMISSION OF AMERIPACK IS PROHIBITED.

SCALE: N/A  
 DWG. NO. CAP31-4213-12  
 SHEET 1 OF 1