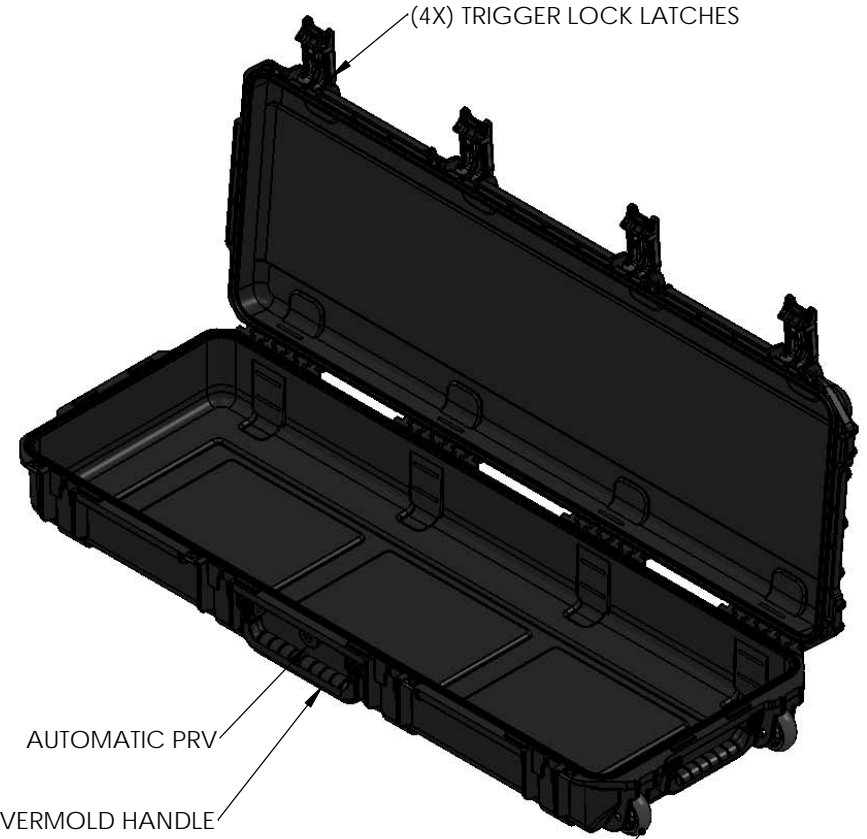
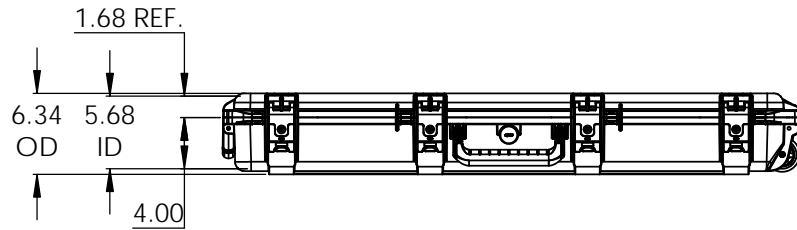
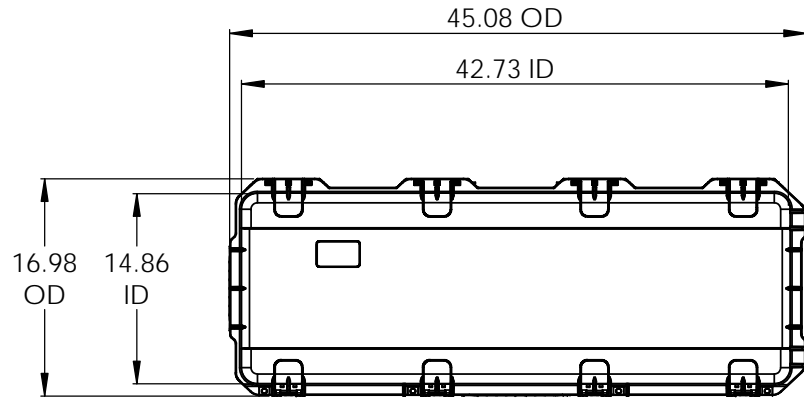


REVISIONS			
LEVEL	DESCRIPTION	APPROVED	DATE



MATERIALS:	DIMENSIONAL TOLERANCES	
INJECTION MOLDED POLYPROPYLENE	ALL DIMENSIONS IN INCHES UNLESS NOTED OTHERWISE	
	00 - 06"	0.125"
	06 - 12"	0.250"
	12 - 50"	0.375"
ONE COMPLETE SET INCLUDES:	ASSEMBLY:	DRAWN
ONE (1) CASE, AS SHOWN	XXXX	CHECKED
		APPROVED

NAME	DATE
J THOMSON	07/21/14
M SCHRAPP	
J THOMSON	


TITLE:
 AP3I-4214-5
 MIL STD CASE
 ASSEMBLY

SCALE: N/A
 DWG. NO. CAP3I-4214-5
 REV SHEET 1 OF 1

PROPRIETARY AND CONFIDENTIAL
 THE INFORMATION CONTAINED IN THIS DRAWING IS THE SOLE PROPERTY OF AMERIPACK. ANY REPRODUCTION IN PART OR AS A WHOLE WITHOUT THE WRITTEN PERMISSION OF AMERIPACK IS PROHIBITED.